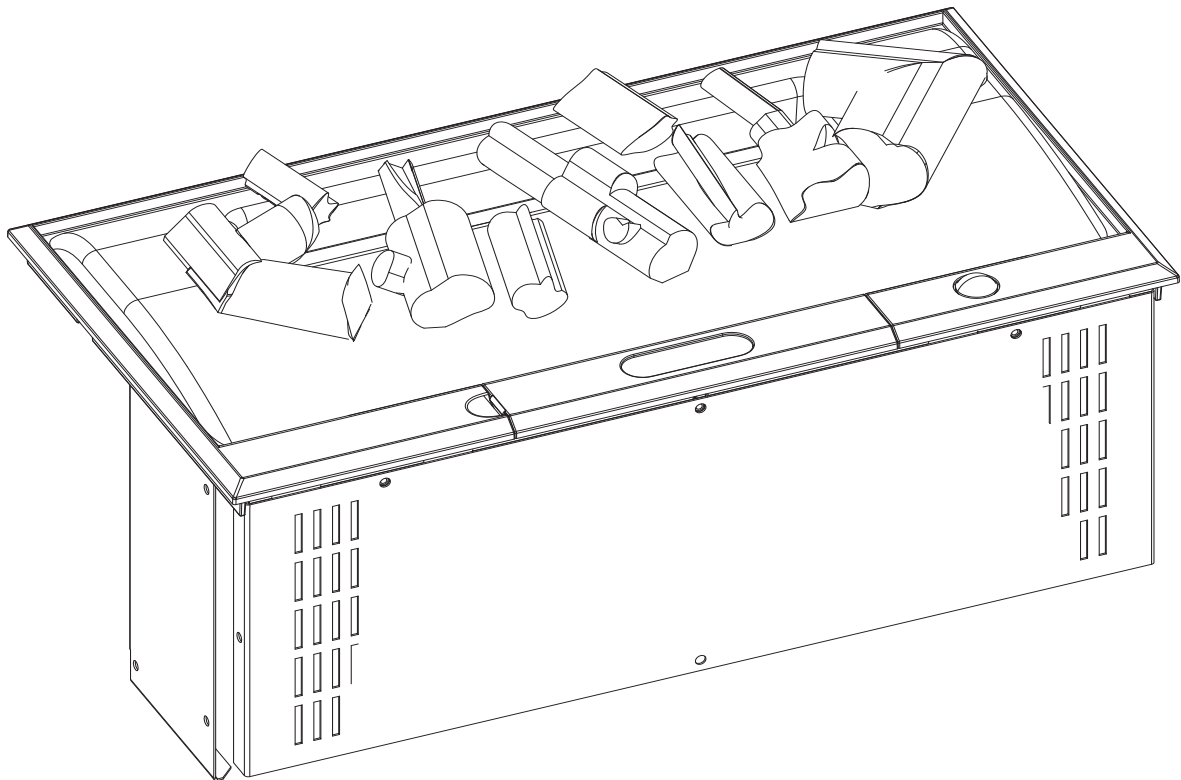


Dimplex

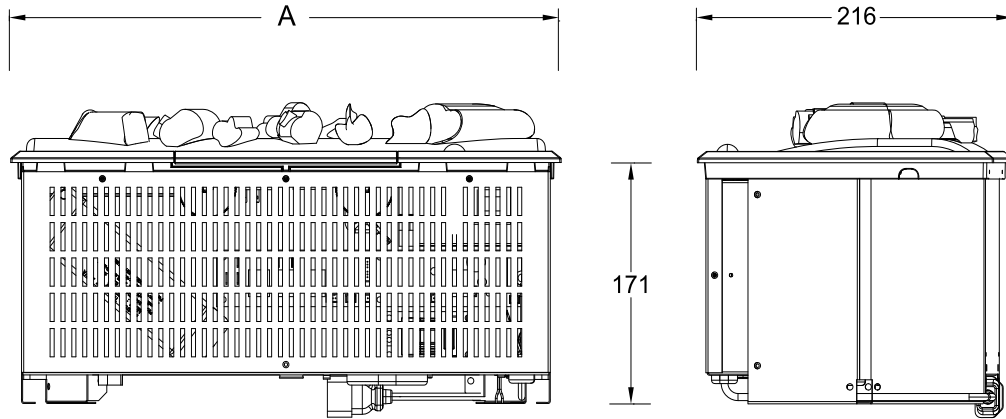


CAS400 CAS600



08/35608/2 Issue 2

Fig. 1



	'A' mm
CAS400	405
CAS600	564

Fig. 2

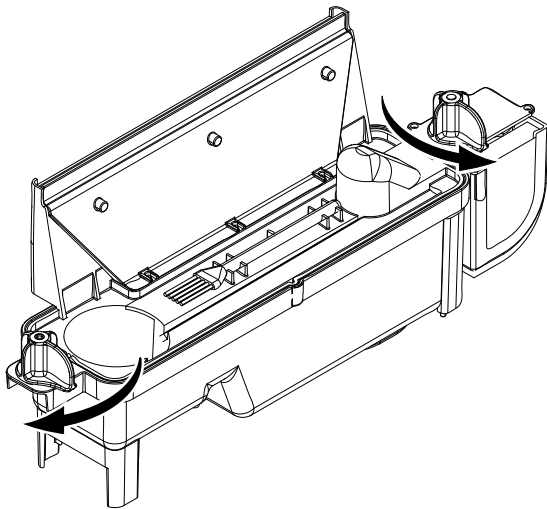


Fig. 3

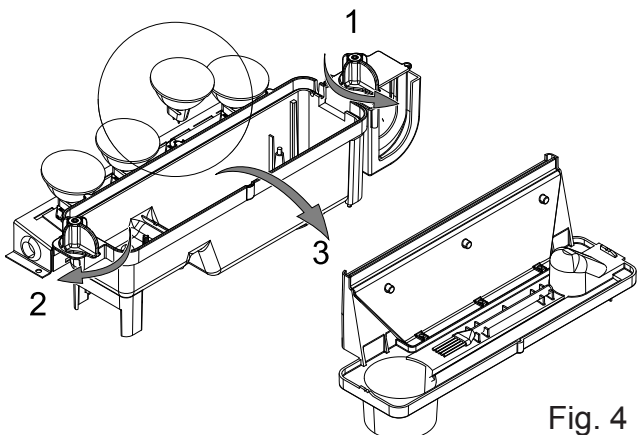
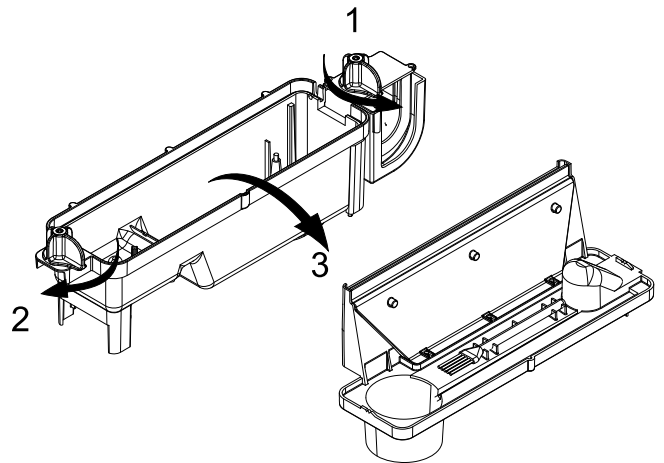


Fig. 4

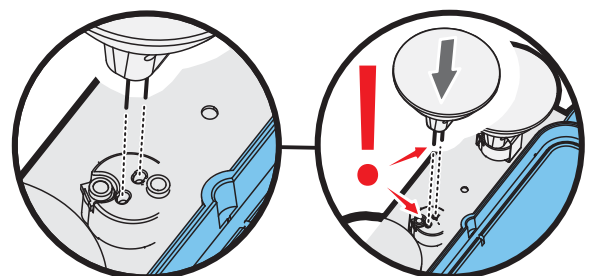


Fig. 4a

Fig. 5

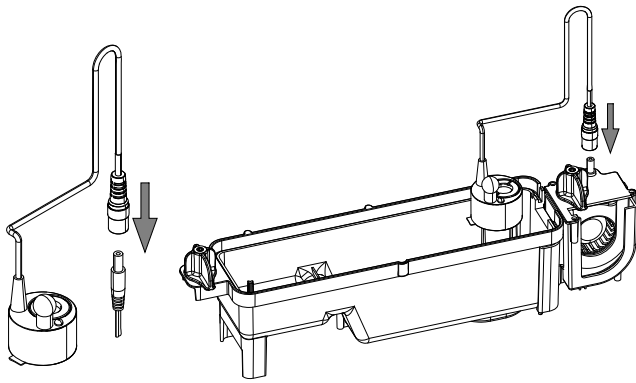


Fig. 5a

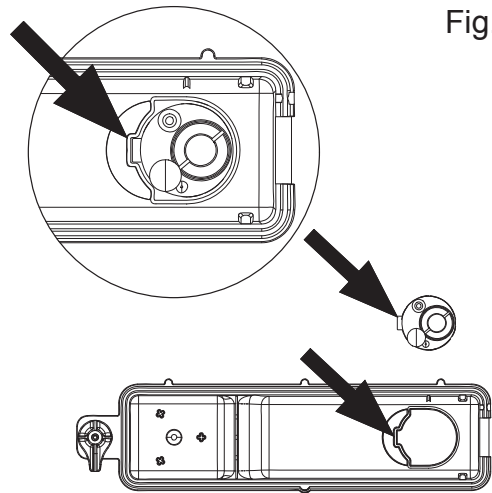


Fig. 5b

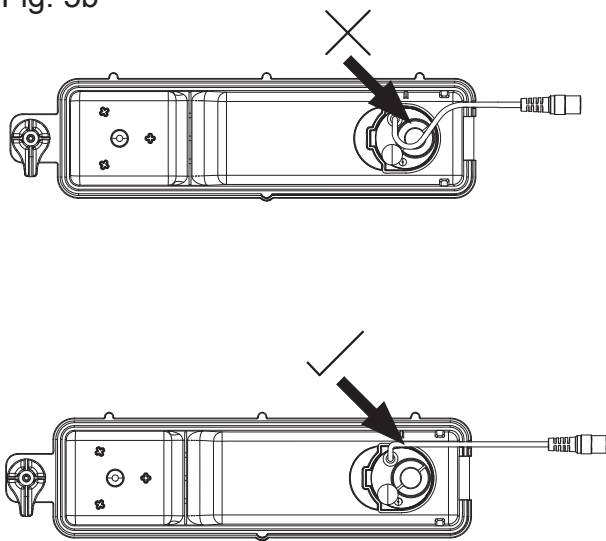


Fig. 6

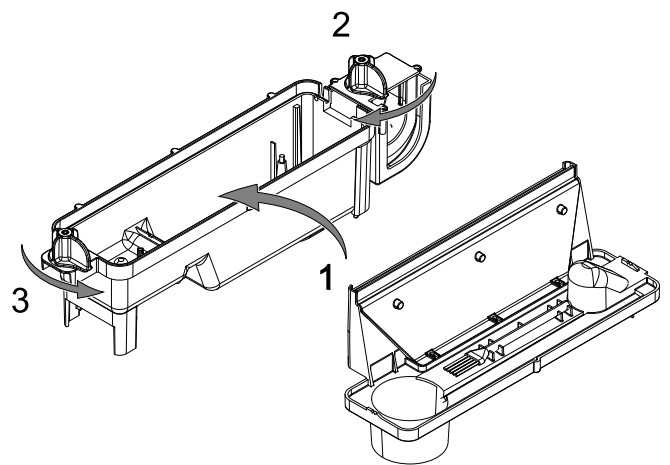


Fig. 7

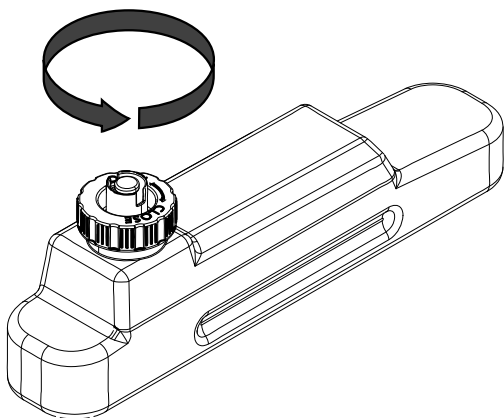


Fig. 8

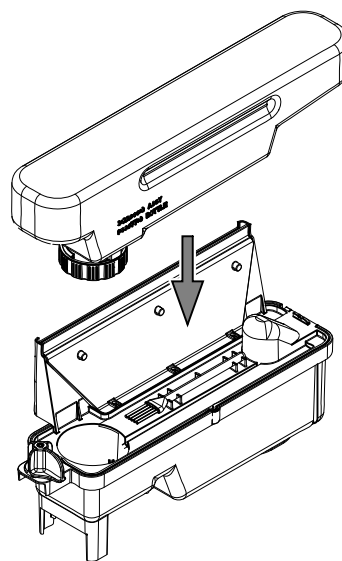


Fig. 9

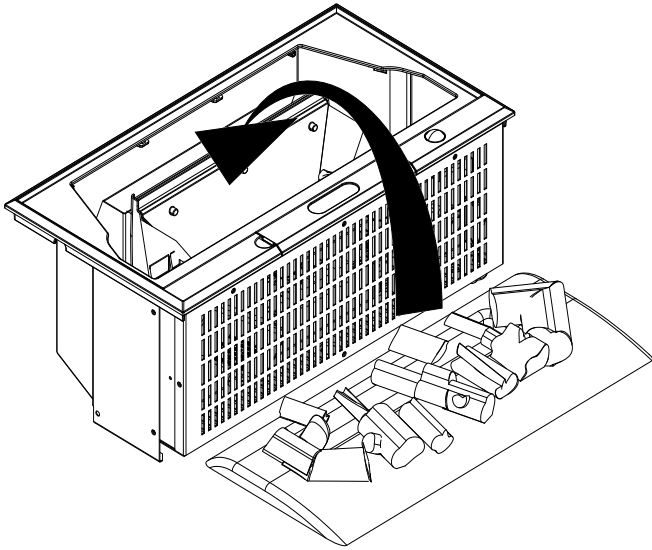


Fig. 10

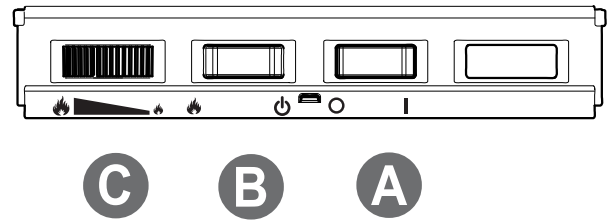


Fig. 11

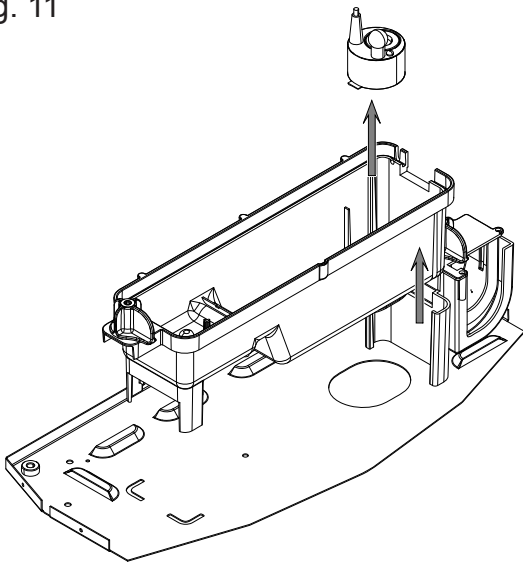


Fig. 12

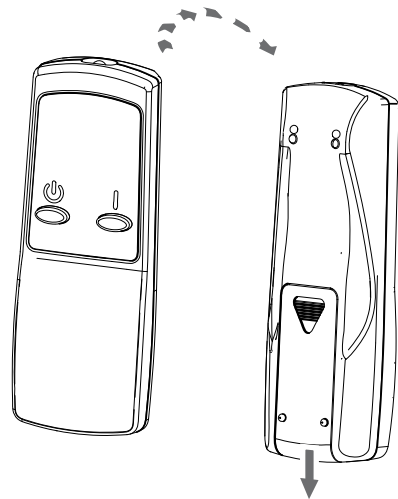


Fig. 13

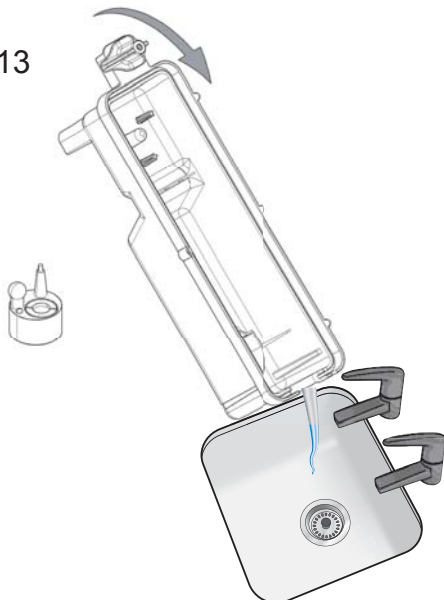


Fig. 14

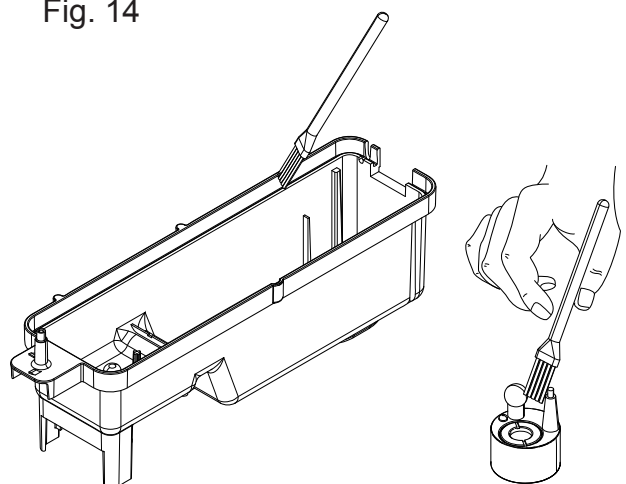


Fig. 15

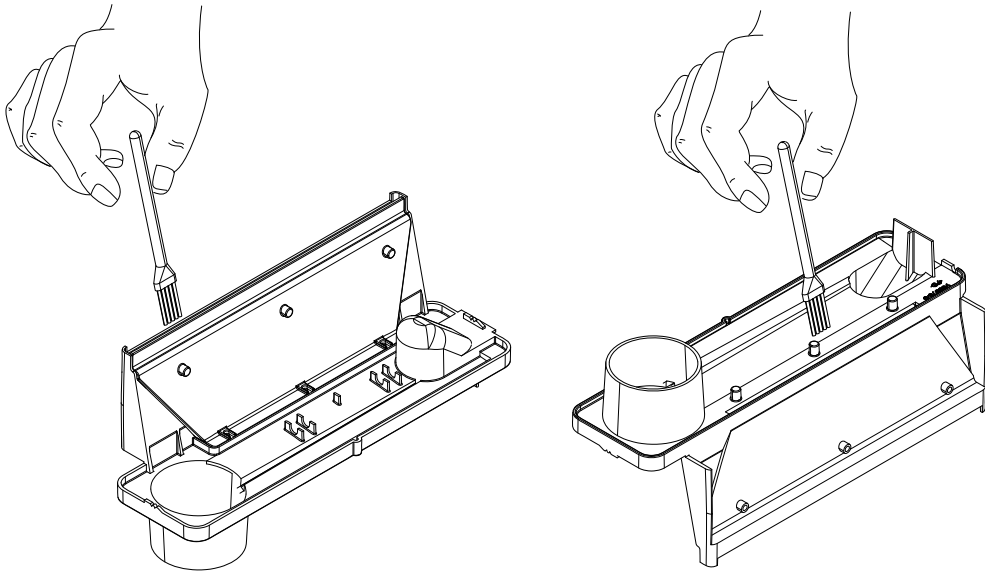


Fig. 16

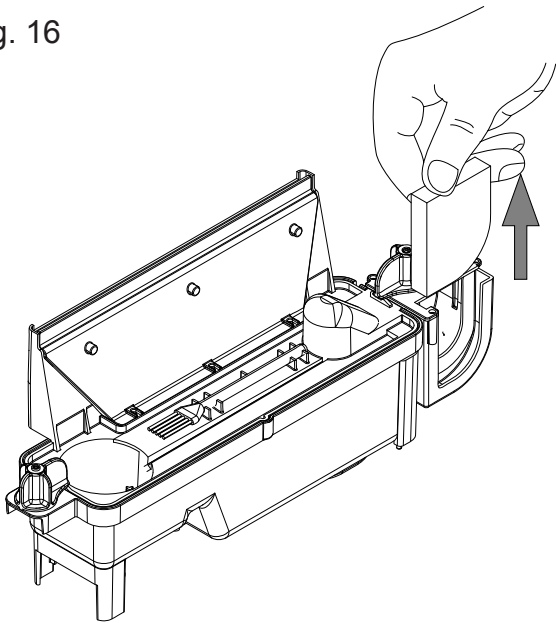
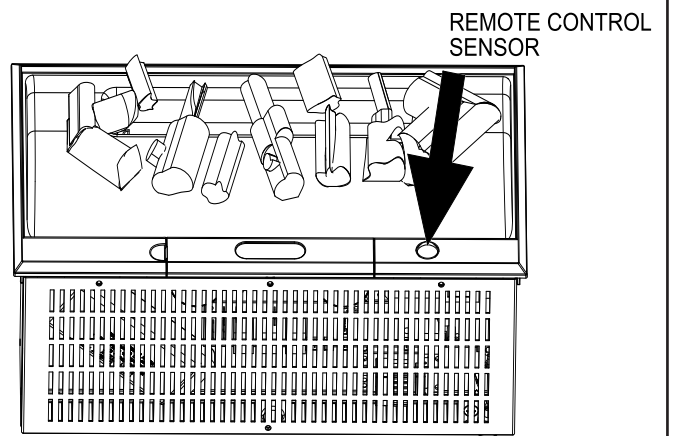


Fig. 17



UK	1
NO.....	6
SE.....	11
FI.....	16
PL	21
RU.....	26
CZ.....	32
LT	37
SZ	42

Introduction

Thank you for choosing this Dimplex electric fire. Please read this information guide carefully to be able to safely install, use and maintain your product.

Important Safety Advice

When using electrical appliances, basic precautions should always be followed to reduce the risk of fire, electrical shock and injury to persons, including the following:

1. WARNING

Do not place material or garments on, or obstruct the air circulation around the appliance. The appliance carries the Warning symbol indicating that it must not be covered.



2. DAMAGE

If the appliance is damaged, check with the supplier before installation and operation.

If the supply cord is damaged it must be replaced by the manufacturer or service agent or a similarly qualified person in order to avoid a hazard.

3. LOCATION

Do not use outdoors.

Do not use in the immediate surroundings of a bath, shower or swimming pool.

Do not locate the fire immediately below a fixed socket outlet or connection box.

Ensure that furniture, curtains or other combustible material are positioned no closer than 1 metre from the appliance.

4. PLUG POSITIONING

The appliance must be positioned so that the plug is accessible.

Keep the supply cord away from the front of the appliance.

5. UNPLUGGING

In the event of a fault unplug the device.

Unplug the device when not required for long periods.

6. OWNER/USER

This appliance is not intended for use by children or persons with reduced physical, sensory or mental capabilities, or lack of experience and knowledge, unless they have been given supervision or instruction concerning use of the appliance by a person responsible for their safety. Children should be supervised to ensure that they do not play with the appliance

7. ELECTRICITY

WARNING – THIS APPLIANCE MUST BE EARTHED.

This appliance must be used on an AC ~ supply only and the voltage marked on the appliance must correspond to the supply voltage.

Before switching on, please read the safety advice and operating instructions.

General Information

Only use filtered water in this appliance.

This model is designed to be free standing and is normally positioned near a wall.

Always ensure that the appliance is sitting on a level surface.

Please note: Used in an environment where background noise is very low, it may be possible to hear a sound which is related to the operation of the flame effect. This is normal and should not be a cause for concern.

If this product experiences a power surge for whatever reason the product may cut-out. This is a normal safety feature and the product will resume operation after 30 seconds.

Once installed, never move this appliance or lay on its back, without draining the water from sump and water tank.

If you intend not using the appliance for longer than 2 weeks, drain the water from sump and water tank and dry the sump.

The water tank, sump, sump lid, tank cap and air filters must be cleaned once every two weeks, particularly in hard water areas.

The appliance should never be operated if the lamps are not working.

The lamps should be regularly inspected as described under 'Maintenance' and 'Changing lamps'.

Installation Instructions

This section describes how to set up your fire.

BEFORE YOU START

1. Ensure that all packing items are removed (read any warning labels carefully) and retain all packing for possible future use e.g. in the event of moving house or returning the appliance to your supplier.
2. Before connecting to the mains supply, check that the supply voltage is the same as that stated on the appliance.

INSTALLATION

Place the appliance against a wall.

Connecting the Transducer Unit + Lamps

1. Release the two red tabs by turning them by 90 degrees (see Fig 2)
2. Lift out the Sump Nozzle (Fig 3)
3. Insert lamps into lamp holders (Fig 4), carefully locating the pins into the holes (Fig 4a)
4. Push lamps firmly into place
5. Place the Transducer Unit into the sump and join the cable to the connector on the sump (Fig 5)
6. To ensure that the Transducer Unit is correctly placed in the sump, the tab on the Transducer Unit should be lined up with the moulded recess in the sump (Fig 5a).
7. Ensure that the cable is not placed above the disc on the Transducer Unit (Fig 5b). To prevent the cable becoming pinched between the nozzle and the sump, place the cable in the slot in the wall of the sump.
8. Replace the Sump Nozzle and secure it by turning the two red tabs by 90 degrees (Fig 6)

Filling the Water Tank

9. Place Water Tank in sink and remove cap (turn anti-clockwise to open) (Fig 7)
10. Fill Water Tank with **filtered tap water only**. This is necessary to prolong the life of the flame and smoke effect producing unit. The water should be filtered through a conventional domestic water filter unit and the filter should be replaced regularly. Distilled water must **not** be used.
11. Screw the cap back on – **do not overtighten**.
12. Place the Water Tank in the Sump, with the tank cap facing down and the flat side of the tank facing outward (Fig 8)

Assembling the fire

13. Place the Fuelbed on top of the Water Tank and Mist Nozzle (Fig 9)

Connect the power cable to the appropriate power connector at the back of the appliance and Plug the power cable into a 13amp/240volt outlet. The appliance is now ready for use.

Operating the Fire


This section describes how to activate your fire using either the manual controls or remote control.

MANUAL CONTROLS

The manual controls are located beneath the hinged flap.
(See Fig.10 for Manual Control lay out)

Switch 'A':- Controls the electricity supply to the Fire.

Note: This switch must be in the 'ON' (I) position for the Fire to operate.

Switch 'B':- Press  once to turn on the flame effect. This will be indicated by an audible beep. Although the main lights operate immediately it will take a further 30 seconds before the flame effect starts.

Press  to put fire in to standby mode. This will be indicated by one beep.

Control Knob 'C':- Controls the intensity of the flame effect.


Turning the control knob to the left increases the flame effect, turning the control knob to the right will decrease the flame effect.


GETTING THE DESIRED FLAME EFFECT

1. The flame control knob 'C' (Fig.10) may be turned up or down to give a more realistic effect.
2. Generally the flames appear more realistic when the flame control is turned down.
3. Give the flame generator time to react to changes you may make.
4. The appliance will use less water if the flame effect is set to a lower level (control knob 'C').
5. Do not tilt or move the appliance while there is water in the tank or sump.
6. Make sure that the appliance is on a level floor.

REMOTE CONTROL OPERATION

On the control panel, Switch A (see Fig.10) must be in the 'ON' (I) position in order for the remote control to operate. There are 3 buttons on the remote control. (See Fig.12) To operate correctly the remote must be pointed towards the front of the grate. (See Fig 17). The remote control functions are as follows:

-  Press once to turn on Flame effect.
This will be indicated by one beep.

-  Standby
This will be indicated by one beep.

Maintenance

GENERAL TIPS

Only use filtered tap water in this appliance.

Always ensure that the appliance is sitting on a level surface.

If you intend not using the appliance for longer than 2 weeks, remove and empty the sump and water tank.

Once installed, never move this appliance or lay on its back, without draining the water from sump and water tank.

The appliance should never be operated if the lamps are not working.

The lamps should be regularly inspected as described under 'Changing lamps'.

FILLING THE WATER TANK

When the water tank is empty, the flame and smoke effect shuts off and you will hear 2 audible beeps, follow these steps.

1. Press Switch 'A' to **(0)** (See Fig.10)
2. Gently lift out the fuelbed and carefully set aside.
3. Remove the water tank by lifting upwards and outwards.
4. Place the water tank in sink and remove cap, Anti-clockwise to open. (Fig 7)
5. Fill tank with **filtered tap water only**. This is necessary to prolong the life of the flame and smoke producing unit. The water should be filtered through a conventional domestic water filter unit and the filter should be replaced regularly.
6. Screw the cap back on, do not over tighten.
7. Return the tank to the sump, with the tank cap facing down and the flat side of the tank facing outward. (Fig 8)
8. Gently place the fuelbed back into position. (Fig 9)
9. Press Switch 'A' to 'ON' **(I)** position (See Fig.10)

CHANGING LAMPS

If the flame and smoke effect appears grey or colourless it may be that one or more lamps have failed.

You can check for lamp failure as follows.

1. Leaving the flame effect on, lift out the fuelbed and water tank.
2. It should be possible to view the lamps with the nozzle in place and observe which one needs to be changed.
3. Put Switch 'A' in the 'OFF' **(0)** position, and unplug the fire from the mains.
4. Leave the appliance for 20 minutes to allow the lamps to cool down before removing them.
5. Remove the sump as described in the Cleaning Section.
6. Remove the defective lamp, by gently lifting vertically and disengaging the pins from the lamp holder, (See Fig.4 and 4a).
Replace with an Dimplex Optimyst, 12V, 45W, Gu5.3 base, 8° beam angle, coloured lamp.
7. Carefully insert the two pins of the new lamp into the two holes in the lamp holder. Push firmly in place. (See Fig.4 and 4a).
8. Replace the sump, nozzle, water tank and fuelbed.

CLEANING

Warning – Always press Switch 'A' to the 'OFF' **(0)** position (See Fig.10) and disconnect from the power supply before cleaning the fire.

We recommend cleaning the following components once every 2 weeks, particularly in hard water areas:-

Water Tank, Sump, Nozzle, Tank cap and seal, Air filter.

For general cleaning use a soft clean duster – never use abrasive cleaners.

To remove any accumulation of dust or fluff, the soft brush attachment of a vacuum cleaner should occasionally be used.

Water tank

1. Remove water tank, as described earlier, put into sink and empty water.
2. Using the supplied brush gently rub the inside surfaces of the cap paying particular attention to the rubber ring in the outer groove and the centre rubber seal.
3. Put a small quantity of washing up liquid into the tank, refit the cap and shake well, rinse out until all traces of washing up liquid are gone.
4. Refill with filtered tap water only, replace the cap, do not overtighten.

Sump

1. Press Switch 'A' to the 'OFF' (0) position
2. Gently lift out the fuelbed and place carefully on the ground.
3. Remove the water tank by lifting upwards.
4. Disconnect the electrical connector, located on the right side of the sump. (See Fig.5) .
5. Release the right sump locking tabs by turning 90°. This allows the sump to be lifted completely from its location.
6. Gently lift up the sump, taking care to keep level so as not to spill any water. Sit the assembly in the sink.
7. Release the left sump locking tabs by turning 90°, then lift off the Nozzle. (See Fig.3)
8. Lift out the transducer and carefully tilt, as shown, so that the liquid drains out of the sump. (See Fig.13)
9. Put a small amount of washing up liquid into the sump, and using the supplied brush, gently clean all surfaces in the sump and gently clean the transducer including the metal discs located in the top grooved surface. (See Fig.14)
10. When cleaned, thoroughly rinse the sump with clean water to remove all traces of washing up liquid.
11. Clean the Nozzle with the brush and flush out thoroughly with water. (See Fig.15)
12. Reverse the above steps to reassemble.

Air filter

1. Gently lift out the fuelbed and place carefully on the ground.
2. Gently slide the air filter upwards out of its plastic holder. (See Fig.16)
3. Gently rinse with water in the sink and dry with fabric towel before returning.
4. Replace the filter making sure that the coarse black filter is facing the front of the fire.
5. Replace the fuelbed.

Additional Information

AFTER SALES SERVICE

Your product is guaranteed for 2 years from the date of purchase. Within this period, we undertake to repair or exchange this product free of charge (excluding lamps & subject to availability) provided it has been installed and operated in accordance with these instructions. Your rights under this guarantee are additional to your statutory rights, which in turn are not affected by this guarantee.

RECYCLING



For electrical products sold within the European Community - At the end of the electrical products useful life it not be disposed of with household waste. Please recycle where facilities exist. Check with your Local Authority or retailer for recycling advice in your country.

PATENT / PATENT APPLICATION

Products within the Optimyst range are protected by one or more of the following patents and patent applications:

Great Britain GB 2402206, GB 2460259, GB 2460453 , GB 2418014, GB 2465738, GB 2449925, GB 2465537 , GB 2455277 , GB1020534.2, GB1020537.5, GB1110987.3

United States US 7967690, US 2010299980, US 2011062250, US 2008028648, US 13/167,042

Russia RU2008140317

European EP 2029941, EP 2201301, EP 2315976, EP 1787063, EP07723217.1 , EP11170434.2, EP 11170435.9

China CN 101883953, CN 200980128666.2, CN 101057105, CN 101438104

Australia AU 2009248743, AU 2007224634

Canada CA 2725214, CA 2579444, CA 2645939

International Patent Application WO 2006027272

South Africa ZA 200808702

Mexico MX 2008011712

Korea KR 20080113235

Japan JP 2009529649

Brazil BR P10708894-9

India IN 4122/KOLNP/2008

New Zealand NZ 571900

Troubleshooting

Symptom	Cause	Corrective Action
The flame effect will not start.	<p>Mains plug is not plugged in.</p> <p>Low water level.</p> <p>Low voltage connector not connected properly. (See Fig.5)</p> <p>The Transducer Unit is not sitting correctly in the sump</p>	<p>Check plug is connected to wall socket correctly.</p> <p>Check that the water tank is full and there is water in the sump.</p> <p>Check that the connector is inserted correctly. (See Fig.5)</p> <p>Ensure the Transducer is sitting down into the moulded recess in the sump</p>
The flame effect is too low.	<p>Flame effect control knob is set too low. (See Fig.10)</p> <p>The Metal Disc in the transducer might be dirty (See Fig.14)</p> <p>The wire from the Transducer Unit is sitting over the metal disc</p>	<p>Increase level of flame by turning Control knob 'D' to the left slowly. (See Fig.10)</p> <p>Clean the Metal Disc with soft brush supplied. (See Fig.14) See 'Maintenance.' for a step by step procedure.</p> <p>Direct the wire to the back of the sump and make sure it sits into the side slot exiting the sump.</p>
Unpleasant smell when unit is used.	<p>Dirty or stale water.</p> <p>Using unfiltered tap water.</p>	<p>Clean the unit as described under maintenance.</p> <p>Use only filtered tap water.</p>
The flame effect has too much smoke.	<p>Flame effect setting is too high.</p>	<p>Turn the flame effect Control knob 'D' to the right, about ¼ a turn, at a time. Give the flame generator some time to adjust to the new setting. (See Fig.10)</p>
Main lamps are not working and there are no flames or smoke.	<p>There is no water in the water tank</p>	<p>Follow instructions under Maintenance, 'Filling the water tank'.</p> <p>Check the plug is connected to the wall socket correctly and that Switch 'A' Fig. 10 is in the 'ON' (I) position.</p>

Innledning

Takk for at du valgte denne elektriske ilden fra Dimplex. Vennligst les denne informasjonsveiledningen nøye for å trygt kunne installere, bruke og vedlikeholde produktet ditt.

Viktige sikkerhetsforholdsregler

Ved bruk av elektriske apparater bør grunnleggende forholdsregler alltid følges for å redusere risiko relatert til brann, elektriske støt og personskader, inkludert følgende:

1. ADVARSEL

Ikke plasser materiale eller stoffer på, eller hindre luftsirkulasjonen rundt, apparatet. Dette apparatet kommer med en IKKE DEKK-advarel.



2. SKADE

Dersom apparatet er skadet, forhør deg med leverandøren før installasjon og bruk.

Dersom strømledningen er skadet, må den skiftes ut av produsenten eller et serviceverksted eller en tilsvarende kvalifisert person for å unngå fare.

3. PLASSERING

Ikke bruk utendørs.

Ikke bruk i umiddelbar nærhet av badekar, dusj eller svømmebasseng.

Ikke plasser ilden rett under en fast stikkontakt eller koblingsboks.

Sørg for at møbler, gardiner og andre brennbare materialer ikke plasseres nærmere enn 1 meter fra apparatet.

4. PLUGG-POSISJONERING

Apparatet må posisjoneres slik at pluggen er tilgjengelig.

Hold strømledningen unna forsiden av apparatet.

5. FRAKOBLING

I tilfelle feil, frakobles enheten.

Frakoble enheten når den ikke skal brukes over en lengre tidsperiode.

6. EIER/BRUKER

Dette apparatet er ikke tiltenkt å skulle brukes av barn eller personer med redusert fysisk, sensorisk eller psykisk funksjonsevne, eller manglende erfaring og kunnskap, med mindre de er under tilsyn av eller har fått instruksjoner som omhandler bruk av apparatet av en person ansvarlig for sikkerheten deres. Barn bør holdes under tilsyn for å sørge for at de ikke leker med apparatet.

7. ELEKTRISITET

ADVARSEL – DETTE APPARATET MÅ JORDES.

Dette apparatet kan kun brukes med en AC ~-forsyning og spenningen markert på apparatet må tilsvare forsyningsspenningen.

Før du slår på apparatet, må du lese sikkerhetsforholdsreglene og driftsinstruksjonene.

ADVARSEL – For å unngå overoppheting, må ikke apparatet tildekkes.

Generell informasjon

Bruk kun filtrert vann i dette apparatet.

Denne modellen er designet for å stå fritt og vil normalt sett posisjoneres i nærheten av en vegg.

Alltid sørg for at apparatet er plassert på en jevn overflate.

Vennligst merk deg: Når den brukes i et miljø med lav bakgrunnsstøy, kan det være mulig å merke en lyd som er forbundet med flammeeffekten. Dette er normalt og er ikke være noe å bekymre seg for.

Dersom dette produktet får overspenning, uansett grunn, kan det slå seg av automatisk. Dette er en sikkerhetsfunksjon og produktet vil gjenoppta drift innen 30 sekunder.

Når det er blitt installert, må ikke apparatet flyttes eller legges sidelengs uten å drenere vannet fra bunnpannen og vanntanken.

Dersom du ikke skal bruke apparatet på en tidsperiode på over 2 uker, drener vannet fra bunnpannen og vanntanken, og deretter tørk bunnpannen.

Vanntanken, bunnpannen, bunnpanelokket, tanklokket og luftfiltrene må rengjøres én gang hver 2. uke, spesielt i områder med hardt vann.

Apparatet bør aldri brukes dersom lampene ikke fungerer.

Lampene bør inspiseres på regelmessig basis, som beskrevet under 'Vedlikehold' og 'Bytte lamper'.

Installasjonsinstruksjoner

Dette avsnittet beskriver hvordan du gjør setter opp ilden din.

FØR DU STARTER

1. Sørg for at all emballasje fjernes (les alle advarsler nøye) og ta vare på det for fremtidig referansebruk, f.eks. hvis du skal bytte bopel eller returnere apparatet til forhandleren din.
2. Før du kobler til strømforsyningen, må du kontrollere at forsyningsspenningen er den samme som markert på apparatet.

INSTALLASJON

Plasser apparatet mot en vegg.

Tilkobling av transduserenheten og lamper

1. Frigjør de to røde tappene ved å vri dem 90 grader. (Se Fig. 2)
2. Løft ut bunnpannedysen. (Fig. 3)
3. Sett lampene i lampeholderne (Fig. 4) mens du forsiktig setter tappene på plass i hullene. (Fig. 4a)
4. Dytt lampene godt på plass.
5. Plasser transduserenheten i bunnpannen og koble ledningen til bunnpannekontakten. (Fig. 5)
6. For å sørge for at transduserenheten er plassert på korrekt vis i bunnpannen, bør tappene på transduserenheten være på linje med den formstøpte fordypningen i bunnpannen. (Fig. 5a)
7. Sørg for at ledningen ikke plasseres over disken til transduserenheten (Fig. 5b). For å forhindre at ledningen blir klemt mellom dysen og bunnpannen, plasseres ledningen i sporet som er å finne i vegg til bunnpannen.
8. Sett på plass bunnpannedysen og fest den ved å vri de to røde tappene 90 grader. (Fig. 6)

Fylle vanntanken

9. Plasser vanntanken i vasken og fjern lokket (vri mot klokken for å åpne). (Fig. 7)
10. Kun fyll vanntanken med **filtrert springvann**. Dette er nødvendig for å forlenge levetiden til flamme- og røykeeffektfunksjonene. Vannet bør filtreres gjennom en konvensjonell husholdnings-vannfilterenhet og filteret bør skiftes ut regelmessig. Destillert vann kan **ikke** brukes.
11. Skru på plass lokket – **ikke stram for mye**.
12. Plasser vanntanken i bunnpannen, med tanklokket vendt nedover og flatsiden til tanken vendt utover. (Fig. 8)

Sette opp ilden

13. Plasser brenselssystemet på toppen av vanntanken og tåkedysen. (Fig. 9)

Koble strømledningen til den hensiktsmessige strømkontakten på baksiden av apparatet og plugg strømledningen i en 13 amp/240 volts stikkontakt. Apparatet er nå klart til bruk.

Kontrollere ilden



Dette avsnittet beskriver hvordan du aktiverer ilden din ved å enten bruke de manuelle kontrollene eller fjernkontrollen.

MANUELLE KONTROLLER

De manuelle kontrollene er lokalisert under den hengslede klaffen.
(Se Fig. 10 for oppsett av manuelle kontroller)

Bryter 'A': Kontrollerer strømforsyningen til ilden.

Merknad: Denne bryteren må være i 'PÅ' (I)-posisjonen for at ilden skal starte.

Bryter 'B': Trykk på  én gang for å slå på flammeeffekten. Dette vil indikeres ved et hørbart pip. Selv om hovedlysene tennes umiddelbart, vil det ta ytterligere 30 sekunder før flammeeffekten starter.
Trykk på  for å sette ilden i standby-modus. Dette vil indikeres ved ett pip.

Kontrollknapp 'C': Kontrollerer intensiteten til flammeeffekten.

Vrir du kontrollknappen til venstre vil du øke flammeeffekten, og vrir du den til høyre vil du redusere effekten.

OPPNÅ DEN ØNSKEDE FLAMMEEFFEKTEN

1. Kontrollknapp 'C' (Fig. 10) kan skrues opp og ned for å gi en mer realistisk effekt.
2. Normalt sett virker flammene mer realistiske når intensiteten er skrudd ned.
3. Gi flammegeneratoren tid til å reagere på endringene du foretar.
4. Apparatet vil bruke mindre vann dersom flammeeffekten er satt til et lavere nivå (kontrollknapp 'C').
5. Ikke velt eller flytt apparatet mens det er vann i tanken eller bunnpannen.
6. Sørg for at apparatet er posisjonert på et jevnt gulv.

FJERNKONTROLL

På kontrollpanelet er bryter A (Se Fig. 10) nødt til å være i 'PÅ' (I)-posisjonen for at fjernkontrollen skal fungere. Det er 3 knapper på fjernkontrollen. (Se Fig. 12) For korrekt bruk av fjernkontrollen, er den nødt til å pekes mot forsiden av brennkammeret. (Se Fig. 17). Fjernkontrollfunksjonene er som følger:

- I Trykk én gang for å slå på flammeeffekten. Dette vil indikeres ved ett pip.



Standby

Dette vil indikeres ved ett pip.

Vedlikehold

GENERELLE TIPS

Bruk kun filtrert springvann i dette apparatet.

Alltid sørg for at apparatet er plassert på en jevn overflate.

Dersom du planlegger å ikke bruke apparatet i en tidsperiode på mer enn 2 uker, fjernes og tømmes bunnpannen og vanntanken.

Når det er blitt installert, må ikke apparatet flyttes eller legges sidelengs uten å drenere vannet fra bunnpannen og vanntanken.

Apparatet bør aldri brukes dersom lampene ikke fungerer.

Lampene må inspiseres regelmessig, som beskrevet under 'Skifte ut lamper'.

FYLLE VANNTANKEN

Når vanntanken er tom, vil flamme- og røykeeffekten slås av og du vil høre 2 pip. Følg da disse stegene.

1. Vri bryter 'A' til (0). (Se Fig. 10)
2. Løft brenselsystemet forsiktig ut og sett det til side.
3. Fjern vanntanken ved å løfte den opp og ut.
4. Plasser vanntanken i vasken og fjern lokket, vri mot klokken for å åpne. (Fig. 7)
5. Kun fyll tanken med **filtrert springvann**. Dette er nødvendig for å forlenge levetiden til flamme- og røykeeffektfunksjonene.
6. Vannet bør filtreres gjennom en konvensjonell husholdnings-vannfilterenhet og filteret bør skiftes ut regelmessig.
7. Skru på plass lokket, ikke stram for mye.
8. Plasser tanken tilbake i bunnpannen, med tanklokket vendt nedover og den flate siden vendt utover. (Fig. 8)
9. Plasser brenselsystemet forsiktig tilbake i posisjon. (Fig. 9)
10. Vri bryter 'A' til 'ON' (I)-posisjonen. (Se Fig. 10)

SKIFTE UT LAMPER

Dersom flamme- og røykeeffekten virker grå eller fargeløs, kan det være at én eller flere lamper har sluttet å fungere. Du kan kontrollere dette ved å gjøre følgende.

1. Mens flammeeffekten er på, løftes brenselsystemet og vanntanken ut.
2. Det skal være mulig å se lampene mens dysen er på plass og sjekke hvilken som må skiftes ut.
3. Vri bryter 'A' til 'AV' (0)-posisjonen og koble ilden fra strømforsyningen.
4. La apparatet stå i 20 minutter for å la lampene kjøle seg ned før du fjerner dem.
5. Fjern bunnpannen som beskrevet i rengjøringsavsnittet.
6. Fjern den ikke-fungerende lampen ved å forsiktig løfte den vertikalt og frakoble tappene fra lampeholderen. (Se Fig. 4 og 4a)
7. Skift ut med en Dimplex OPTIMYST, 12V, 45W, Gu5.3 base, 8° strålevinkel, farget lampe.
8. Sett de to tappene til den nye lampen forsiktig i de to hullene i lampeholderen. Press den godt på plass. (Se Fig. 4 og 4a)
9. Sett på plass bunnpannen, dysen, vanntanken og brenselsystemet.

RENGJØRING

Advarsel – Alltid vri bryter 'A' til 'AV' (0)-posisjonen (Se Fig. 10) og koble fra strømforsyningen før du rengjør ilden.

Vi anbefaler å rengjøre følgende komponenter én gang annenhver uke, spesielt i områder med hardt vann:

Vanntanken, bunnpannen, dysen, tanklokket og -forseglingen, luftfiltrene.

For generell rengjøring, bruk en myk, ren støvklut – bruk aldri skuremidler.

For å fjerne eventuell oppbygging av støv eller lo, bør mykbørste-utstyret til en støvsuger anvendes regelmessig.

Vanntank

1. Fjern vanntanken, som tidligere beskrevet, plasser den i vasken og tøm vannet.
2. Ved å bruke den medfølgende børsten, børstes innsiden av tanken mens du fokuserer ekstra på gummiringen i det ytre sporet og den midtre gummipakningen.
3. Plasser en liten mengde flytende oppvaskmiddel i tanken, sett på plass lokket og rist godt, skylle deretter ut alle spor

av oppvaskmiddelet.

4. Fyll på tanken med filtrert springvann, sett på plass lokket og ikke stram for hardt.

Bunnpanne

1. Vri bryter 'A' til 'AV' (0)-posisjonen.
2. Løft brenselssystemet forsiktig ut og plasser det på bakken.
3. Fjern vanntanken ved å løfte den oppover.
4. Koble fra den elektriske kontakten, lokalisert på høyre side av bunnpannen. (Se Fig. 5).
5. Frigjør de høyre bunnpanne-låsetappene ved å vri 90°. Dette gjør at bunnpannen kan løftes fra posisjonen sin.
6. Løft forsiktig opp bunnpannen, mens du passer på å holde den jevnt slik at du ikke søler noe vann. Plasser bunnpannen forsiktig i vasken.
7. Frigjør de venstre bunnpanne-låsetappene ved å vri 90°, deretter løft av dysen. (Se Fig. 3)
8. Løft ut transduseren og hell forsiktig, som vist, slik at væsken renner ut av bunnpannen. (Se Fig. 13)
9. Plasser en liten mengde med flytende oppvaskmiddel i bunnpannen, og ved å bruke den medfølgende børsten, rengjør alle overflater forsiktig og gjør det samme med transduseren, inkludert metallplatene lokalisert i den øvre riflede overflaten. (Se Fig. 14)
10. Etter rengjøringen, skylles bunnpannen nøye med rent vann for å fjerne alle spor etter oppvaskmiddelet.
11. Rengjør dysen med børsten og skyll den godt med vann. (Se Fig. 15)
12. Reverser de ovennevnte stegene for å montere på nytt.

Luffilter

1. Løft brenselssystemet forsiktig ut og plasser det på bakken.
2. Skyv luffilteret forsiktig oppover og ut av plasholderen. (Se Fig. 16)
3. Skyll det med vann i vasken og tørk med et mykt håndkle før du setter det på plass igjen.
4. Når du setter filteret på plass, må du sørge for at det grove, svarte filteret er vendt mot forsiden av ilden.
5. Sett tilbake brenselssystemet.

Ytterligere informasjon

ETTERKJØPSSERVICE

Produktet ditt innehar en garanti som varer ett år fra kjøpsdatoen. Innenfor denne perioden vil vi reparere eller skifte ut dette produktet kostnadsfritt (med unntak av lamper og avhengig av tilgjengelighet), gitt at det har blitt installert og brukt i henhold til disse instruksjonene. Rettighetene dine under denne garantien kommer i tillegg til dine lovbestemte rettigheter, som i sin tur ikke er påvirket av denne garantien.

RESIRKULERING



For elektriske produkter solgt innenfor EU: mot slutten av de elektriske produktenes levetid må de ikke avhendes sammen med husholdningsavfallet. Vennligst resirkuler der det finnes anlegg. Sjekk med dine lokale myndigheter eller forhandler for resirkuleringsråd i ditt land.

PATENT/PATENTSØKNAD

Produkter innen Optimyst-serien er beskyttet av én eller flere av følgende patentene og patentsøknadene:

Storbritannia - GB 2402206, GB 2460259, GB 2460453, GB 2418014, GB 2465738, GB 2449925, GB 2465537, GB 2455277, GB 1020534.2, GB 1020537.5, GB 1110987.3

USA - US 7967690, US 2010299980, US 2011062250, US 2008028648, US 13/167, 042

Russland - RU 2008140317

Europa - EP 2029941, EP 2201301, EP 2315976, EP 1787063, EP 07723217.1, EP 11170434.2, EP 11170435.9

Kina - CN 101883953, CN 200980128666.2, CN 101057105, CN 101438104

Australia - AU 2009248743, AU 2007224634

Canada - CA 2725214, CA 2579444, CA 2645939

Internasjonal patentsøknad - WO 2006027272

Sør-Afrika - ZA 200808702

Mexico - MX 2008011712

Korea - KR 20080113235

Japan - JP 2009529649

Brasil - BR P10708894-9

India - IN 4122/KOLNP/2008

New Zealand - NZ 571900

Feilsøking

Problem	Årsak	Løsning
Flammeeffekten fungerer ikke.	<p>Strømforsyningen er ikke koblet til.</p> <p>Lavt vannivå.</p> <p>Lavspenningskontakten er ikke korrekt tilkoblet. (Se Fig. 5)</p> <p>Transduserenheten er ikke ordentlig plassert i bunnpannen.</p>	<p>Kontroller at pluggen er korrekt tilkoblet stikkkontakten.</p> <p>Kontroller at vanntanken er full og at det er vann i bunnpannen.</p> <p>Kontroller at kontakten er korrekt satt inn. (Se Fig. 5)</p> <p>Sørg for at transduseren er plassert i den formstøpte fordypningen i bunnpannen.</p>
Flammeeffekten er for lav.	<p>Flammeeffekt-kontrollknappen er satt til et for lavt nivå. (Se Fig. 10)</p> <p>Metallplatene i transduseren kan være skitne. (Se Fig. 14)</p> <p>Ledningen til transduserenheten er over metallplaten.</p>	<p>Øk flammenivået ved å vri kontrollknapp 'C' langsomt mot venstre. (Se Fig. 10)</p> <p>Rengjør metallplaten med den medfølgende myke børsten. (Se Fig. 14) Se 'Vedlikehold' for steg for steg-beskrivelse.</p> <p>Plasser ledningen på baksiden av bunnpannen og sørg for at den ligger i sidesporet til bunnpannen.</p>
Ubehagelig lukt når enheten brukes.	<p>Skittent eller bedervet vann.</p> <p>Ved bruk av ufiltrert vann.</p>	<p>Rengjør enheten som beskrevet under vedlikehold.</p> <p>Bruk kun filtrert springvann.</p>
Flammeeffekten har for mye røyk.	<p>Flammeeffekten er satt for høy.</p>	<p>Skru ned flammeeffekten ved å vri kontrollknapp 'C' til høyre, omtrent ¼ om gangen. Tillat flammegeneratoren litt tid til å tilpasse seg den nye innstillingen. (Se Fig. 10)</p>
Hovedlampene fungerer ikke og det er ingen flammer eller røyk.	<p>Det er ikke noe vann i vanntanken.</p>	<p>Følg instruksjonene under Vedlikehold, 'Fulle vanntanken'.</p> <p>Kontroller at pluggen er tilkoblet stikkkontakten på korrekt vis og at bryter 'A' (Fig. 10) er satt til 'PÅ' (I)-posisjonen.</p>

Inledning

Tack för att du valde denna elektriska värmekamin från Dimplex. Läs denna bruksanvisning noggrant för att kunna installera, använda och underhålla produkten på ett säkert sätt.

Viktiga säkerhetsanvisningar

När man använder elektriska apparater ska man alltid följa grundläggande försiktighetsåtgärder för att minska risken för eldsvåda, elektriska stötar och/eller personskador, däribland följande:

1. VARNING

Placera inte material eller kläder på, eller hindra luftcirkulationen runtom apparaten. Denna apparat är försedd med en varningsdekal "DO NOT COVER" (Övertäck ej).



2. SKADA

Om apparaten är skadad ska du kontakta leverantören innan du installerar och använder apparaten. Om nätsladden är skadad måste den bytas ut av tillverkaren, servicerepresentant eller av person med liknande behörighet för att förhindra fara.

3. PLACERING

Använd inte apparaten utomhus.
Använd den inte i omedelbar närheten av badkar, dusch eller swimmingpool.
Placera inte värmekaminen omedelbart under ett fast vägguttag eller kopplingsdosa.
Se till att möbler, gardiner eller annat brännbart material placeras minst 1 meter bort från apparaten.

4. PLACERING AV KONTAKT

Apparaten måste monteras så att man enkelt kan komma åt kontakten.
Håll sladden borta från apparatens framsida.

5. FRÄNKOPPLING

I händelse av ett fel ska du koppla ur apparaten.
Koppla ur apparaten i fall den inte behövs under längre perioder.

6. ÄGARE/ANVÄNDARE

Denna apparat är inte avsedd att användas av barn eller personer med nedsatt fysisk eller mental förmåga, eller brist på erfarenhet och kunskap, om de inte övervakas eller får instruktioner angående användning av apparaten av en person som ansvarar för deras säkerhet. Barn ska hållas under uppsikt för att garantera att apparaten inte används som leksak.

7. ELEKTRICITET

VARNING – DENNA APPARAT MÅSTE JORDAS.

Denna apparat får endast användas med växelström och spänningen som anges på apparaten måste överensstämja med nätspänningen.
Innan du sätter på apparaten ska du läsa säkerhetsanvisningarna samt bruksanvisningen.

VARNING - För att undvika överhettning får apparaten inte övertäckas.

Allmän information

Använd endast filtrerat vatten i denna apparat.

Denna modell har utformats för att användas fristående och ska normalt placeras nära en vägg.

Se till att apparaten alltid står på ett plant underlag.

Observera: Om apparaten används i en miljö där bakgrundsbruset är mycket lågt, kan det vara möjligt att höra ett ljud som är relaterad till driften av eldlågans flammeffekt. Detta är normalt och bör inte vara en anledning till oro.

Om denna produkt utsätts för en strömtopp av någon anledning kan produkten stänga av sig själv. Detta är en normal säkerhetsåtgärd och produkten kommer att återuppta driften efter 30 sekunder.

När apparaten har installerats, ska man aldrig flytta denna apparat eller lägga placeras på sidanden på rygg, utan att först tömma vattnet från sumpen tråget och vattentankenbehållaren på vatten.

Om du inte tänker använda apparaten under mer än 2 veckor, ska du tappa vattnet från tråget och vattentanken och torka tråget.

Vattentank, tråg, trågets lock, tankens lock och luftfiltren måste rengöras varannan vecka, särskilt i områden med hårt vatten.

Apparaten får aldrig användas om lamporna inte fungerar.

Lamporna bör regelbundet inspekteras enligt beskrivningen i "Underhåll" och "Lampbyte".

Installationsinstruktioner

Detta avsnitt beskriver hur du installerar din värmekamin.

INNAN DU BÖRJAR

1. Se till att hela emballaget tas bort (läs alla varningsetiketter noggrant) och behåll allt förpackningsmaterial för eventuellt framtida bruk, t.ex. i händelse av flytt eller om du måste returnera apparaten till din återförsäljare.
2. Innan du ansluter apparaten till elnätet ska du kontrollera att nätspänningen överensstämmer med märkspänningen som anges på apparaten.

INSTALLATION

Placera apparaten mot en vägg.

Anslutning av omvandlarenheten + lampor

1. Lösgör de två röda flikarna genom att vrida dem 90 grader. (Se Fig. 2)
2. Lyft ur trågets munstycke. (Fig. 3)
3. Sätt lamporna i lamphållare (Fig. 4), genom att försiktigt placera stiften i hålen. (Fig. 4a)
4. Tryck lamporna ordentligt på plats.
5. Placera omvandlarenheten i tråget och anslut kabeln till trågets kontakt. (Fig. 5)
6. För att säkerställa att omvandlarenheten är rätt placerat i tråget, bör fliken på omvandlarenheten passa in i fördjupningen på tråget. (Fig. 5a)
7. Se till att kabeln inte är placerad ovanför skivan på omvandlarenheten (Fig. 5b). För att förhindra att kabeln blir klämd mellan munstycket och tråget, ska kabeln placeras i skåran i väggen på tråget.
8. Byt ut trågets munstycke och fixera det genom att vrida de två röda flikarna 90 grader. (Fig. 6)

Påfyllning av vattentanken

9. Placera vattentanken i diskhon och ta bort locket (vrid motsols för att öppna). (Fig. 7)
10. Fyll vattentanken med **enbart filterat kranvatten**. Detta är nödvändigt för att förlänga livslängden på enheten som ger den konstgjorda eld- och rök-effekten. Vattnet ska filtreras genom en vanlig filterenhet för kranvatten och filtret bör bytas med jämna mellanrum. Destillerat vatten får **inte** användas.
11. Skruva på locket igen - **dra inte åt för hårt**.
12. Placera vattentanken i tråget, med locket nedåt och den platta sidan av tanken vänd utåt. (Fig. 8)

Montering av värmekaminen

13. Placera bränslebädden ovanpå vattentanken och dimmunstycket. (Fig. 9)

Anslut strömkabeln till rätt strömkontakt på baksidan av apparaten och anslut strömkabeln till ett 13A/240V uttag. Apparaten är nu klar för användning.

Användning av värmekaminen


Detta avsnitt beskriver hur du aktiverar din värmekamin antingen med de manuella kontrollerna eller med fjärrkontrollen.


MANUELLA KONTROLLER

De manuella kontrollerna finns under den gångjärnsförsedda luckan. (Se Fig. 10 för utformningen av de manuella kontrollerna)

Knapp "A": Styr strömförsörjningen till värmekaminen.

Obs: Denna knapp skall vara i läge "PÅ" (I) för att brasan ska kunna fungera.

Knapp "B": Tryck  en gång för att slå på flammeffekten. Detta kommer att indikeras med en ljudsignal. Även om de huvudlamporna fungerar genast kommer det att ta ytterligare 30 sekunder innan flammeffekten startar.

Tryck  för att sätta brasan i standbyläge. Detta kommer att indikeras med ett pipljud.

Kontrollratt "C": Styr intensiteten av den konstgjorda lågans effekt.

Om du vrider kontrollratten åt vänster ökar lågans effekt och om du vrider kontrollratten till höger kommer lågans effekt att minska.

HUR MAN UPPNÅR ÖNSKAD FLAMMEFFEKT


1. Den konstgjorda eldens kontrollratt "C" (Fig. 10) kan skruvas upp eller ner för att ge en mer realistisk effekt.
2. I allmänhet ser den konstgjorda elden mer verklighetstrogen ut om flammeffekten är lågt inställd.
3. Ge flammgeneratorn tid att hinna reagera på eventuella ändringar.
4. Apparaten kommer att använda mindre vatten om flammeffekten är inställd på en lägre nivå (kontrollratt "C").
5. Luta inte apparaten eller flytta på den när det finns vatten i tanken eller tråget.

6. Se till att apparaten står på ett plant underlag.

ANVÄNDNING AV FJÄRRKONTROLLEN

På kontrollpanelen måste knapp A (Se Fig. 10) vara i läge "PÅ" (I) för att fjärrkontrollen ska fungera.

Det finns 3 knappar på fjärrkontrollen. (Se Fig. 12) För att fungera korrekt måste fjärrkontrollen riktas mot den främre delen av gallret. (Se Fig. 17) Fjärrkontrollens funktioner är följande:

 Tryck en gång för att sätta på flammeffekten.
Detta kommer att indikeras med ett pipjud.

 Standby-läge
Detta kommer att indikeras med ett pipjud.

Underhåll

ALLMÄNNA TIPS

Använd endast filtrerat kranvatten i denna apparat.

Se till att apparaten alltid står på ett plant underlag.

Om du inte tänker använda apparaten under mer än 2 veckor, ska du ta bort och tömma tråget och vattentanken.

När apparaten har installerats, ska man aldrig flytta denna apparat eller lägga placeras på sidanden på rygg, utan att först tömma vattnet från sumpen tråget och vattentankenbehållaren på vatten.

Apparaten får aldrig användas om lamporna inte fungerar.

Lamporna bör regelbundet inspekteras enligt beskrivningen i "Lampbyte".

PÅFYLLNING AV VATTENTANKEN

När vattentanken är tom stängs den konstgjorda eld- och rökeffekten av och du kommer att höra 2 ljudsignaler, och du måste följa dessa steg.

1. Ställ knapp "A" till (0). (Se Fig. 10)
2. Lyft försiktigt ut bränslebädden och ställ försiktigt åt sidan.
3. Ta bort vattentanken genom att lyfta uppåt och utåt.
4. Placera vattentanken i diskhon och ta bort locket, vrid motsols för att öppna. (Fig. 7)
5. Fyll tanken med **enbart filtrerat kranvatten**. Detta är nödvändigt för att förlänga livslängden på enheten som producerar den konstgjorda eld- och rök-effekten.
- Vattnet ska filtreras genom en vanlig filterenhet för kranvatten och filtret bör bytas med jämna mellanrum.
6. Skruva på locket igen, inte för hårt.
7. Placera vattentanken tillbaka i tråget, med locket nedåt och den platta sidan av tanken vänd utåt. (Fig. 8)
8. Placera bränslebädden försiktigt tillbaka på sin plats. (Fig. 9)
9. Ställ knapp "A" till "PÅ"-läge (I). (Se Fig. 10)

LAMPBYTE

Om den konstgjorda eld- och rökeffekten verkar grå eller färglös kan det vara så att en eller flera lampor har gått sönder.

Du kan kontrollera avseende lampfel på följande sätt.

1. Låt den konstgjorda elden vara på och lyft ut bränslebädden och vattentanken.
2. Det bör vara möjligt att titta på lamporna med munstycket på plats och observera vilka lampor eventuellt behöver bytas.
3. Ställ knapp "A" till AV-läge (0) och koppla bort värmekaminen från elnätet.
4. Låt apparaten vila i 20 minuter så att lamporna kan svalna innan du tar bort dem.
5. Avlägsna tråget enligt beskrivningen i avsnittet Rengöring.
6. Ta bort den trasiga lampan, genom att försiktigt lyfta den vertikalt och frigöra lampstiften från lamphållaren. (Se Fig. 4 och 4a)
- Byt ut mot en färgad lampa av modell Dimplex OPTIMYST, 12V, 45W, GU5.3 bas, 8° spridningsvinkel.
7. För försiktigt in den nya lampans två stift i lamphållarens två hål. Tryck stadigt på plats. (Se Fig. 4 och 4a)
8. Montera tillbaka tråget, munstycket, vattentanken och bränslebädden.

RENGÖRING

Varning - Ställ alltid knapp "A" till "AV"-läge (0) (Se Fig. 10) och koppla bort strömförsörjningen innan du rengör värmekaminen.

Vi rekommenderar rengöring av följande komponenter en gång varannan vecka, särskilt i områden med hårt vatten: Vattentank, tråg, munstycke, tankens lock och tätning, luftfilter.

För allmän rengöring använder du en mjuk ren dammtrasa - använd aldrig slipande rengöringsmedel.

För att avlägsna ansamling av damm eller ludd bör man använda en mjuk borste som t.ex. ett dammsugarmunstycke med borste.

Vattentank

1. Lyft ur vattentanken, som beskrivits tidigare, placera i diskhon och töm på vatten.
2. Använd den medföljande borsten och gnugga försiktigt på lockets insida och ta särskild hänsyn till gummiringen i det yttre spåret och gummitätningen i mitten.
3. Tillsätt en liten mängd diskmedel i tanken, sätt tillbaka locket och skaka väl, skölj ur tills alla spår av diskmedel är borta.
4. Fyll på med enbart filtrerat kranvatten och sätt tillbaka locket, dra inte åt för hårt.

Tråg

1. Tryck på knappen "A" till "AV"-läge (0).
2. Lyft försiktigt ut bränslebädden och ställ den försiktigt på golvet.
3. Ta bort vattentanken genom att lyfta den uppåt.
4. Koppla ur elkontakten som sitter på höger sida av tråget. (Se Fig. 5)
5. Frigör spärrflikarna på höger sidan av tråget genom att vrida 90 grader. Detta gör att tråget kan lyftas från sin plats.
6. Lyft försiktigt upp tråget, var noga med att hålla den vågrätt för att inte spilla vatten. Placera enheten i diskhon.
7. Frigör spärrhakarna på vänster sida av tråget genom att vrida 90 grader och lyft sedan bort munstycket. (Se Fig. 3)
8. Lyft ut omvandlaren och luta försiktigt, enligt figuren, så att vätskan rinner ut ur tråget. (Se Fig. 13)
9. Tillsätt lite diskmedel i tråget och använd medföljande borste för att försiktigt rengöra alla ytor i tråget och rengör även omvandlaren försiktigt, inklusive metallskivorna som finns i den räfflade ytan på ovansidan. (Se Fig. 14)
10. Efter rengöringen sköljer du tråget med rent vatten för att avlägsna alla spår av diskmedel.
11. Rengör munstycket med borsten och skölj ordentligt med vatten. (Se Fig. 15)
12. Omvänd stegen ovan för att montera ihop enheten igen.

Luftfilter

1. Lyft försiktigt ut bränslebädden och ställ den försiktigt på golvet.
2. Skjut försiktigt luftfiltret uppåt ur sin plasthållare. (Se Fig. 16)
3. Skölj försiktigt med vatten i diskhon och torka med luddfri trasa innan filtret återmonteras.
4. Montera tillbaka filtret och se till att det grova svarta filtret är vänt mot brasan.
5. Sätt tillbaka bränslebädden.

Ytterligare information

SERVICE EFTER FÖRSÄLJNING

Produktgarantin gäller i ett år efter inköpsdatum. Inom denna period åtar vi oss att reparera eller byta ut produkten utan kostnad (exklusive lampor och i mån av tillgång) under förutsättning att den har installerats och används i enlighet med dessa instruktioner. Dina rättigheter enligt denna garanti gäller utöver dina lagstadgade rättigheter, som i sin tur inte påverkas av denna garanti.

ÅTERVINNING



För elektriska produkter som säljs inom den Europeiska Gemenskapen - Elektriska produkter får inte kastas tillsammans med hushållsavfall. Använd återvinningscentraler enligt gällande lagstiftning. Rådfråga med kommunen eller återförsäljare om gällande riktlinjer avseende återvinning.

PATENT/PATENTANSÖKAN

Produkter inom Optimyst-serien skyddas av ett eller flera av följande patent och patentansökningar:

Storbritannien GB 2402206, GB 2460259, GB 2460453, GB 2418014, GB 2465738, GB 2449925, GB 2465537, GB 2455277, GB 1020534.2, GB 1020537.5, GB 1110987.3

USA US 7967690, US 2010299980, US 2011062250, US 2008028648, US 13/167, 042

Ryssland RU 2008140317

Europa EP 2029941, EP 2201301, EP 2315976, EP 1787063, EP 07723217.1, EP 11170434.2, EP 11170435.9

Kina CN 101883953, CN 200980128666.2, CN 101057105, CN 101438104

Australien AU 2009248743, AU 2007224634

Kanada CA 2725214, CA 2579444, CA 2645939

Internationell patentansökan WO 2006027272

Sydafrika ZA 200808702

Mexiko MX 2008011712

Sydkorea KR 20080113235

Japan JP 2009529649

Brasilien BR P10708894-9

Indien IN 4122/KOLNP/2008

Nya Zeeland NZ 571900

Felsökning

Symptom	Orsak	Korrigerande åtgärd
Den konstgjorda flammeffekten startar inte.	<p>Stickkontakten är inte isatt.</p> <p>Låg vattennivå.</p> <p>Lågspänningskontakt är inte ansluten ordentligt. (Se Fig. 5)</p> <p>Omvandlarenheten är inte placerad på rätt sätt i träget.</p>	<p>Kontrollera att stickproppen sitter ordentligt i vägguttaget.</p> <p>Kontrollera att vattentanken är full och att det finns vatten i träget.</p> <p>Kontrollera att kontakten har förts in på rätt sätt. (Se Fig. 5)</p> <p>Se till att omvandlaren sitter ordentligt i fördjupningen på träget.</p>
Flammeffekten på den konstgjorda elden är för låg.	<p>Kontrollratten till flammeffekten står för lågt. (Se Fig. 10)</p> <p>Metallskivan i omvandlaren kan vara smutsig. (Se Fig. 14)</p> <p>Tråden från omvandlarenheten ligger över metallskivan.</p>	<p>Öka flammnivån genom att vrida kontrollknappen "C" sakta åt vänster. (Se Fig. 10)</p> <p>Rengör metallskivan med mjuk borste (medföljer). (Se Fig. 14) Se "Underhåll" för en steg för steg beskrivning.</p> <p>Ordna kabeln på baksidan av sumpen och kontrollera att den sitter i sidospåret som leder bort från sumpen.</p>
Obehaglig lukt när enheten används.	<p>Smutsigt eller unket vatten.</p> <p>Ofiltrerat kranvatten har använts.</p>	<p>Rengör enheten enligt beskrivningen i avsnittet Underhåll.</p> <p>Använd endast filtrerat kranvatten.</p>
Flammeffekten har för mycket rök.	<p>Inställning för flammeffekten är för hög.</p>	<p>Vrid kontrollratten "C" för flammeffekten åt höger, ca ¼ varv åt gången. Ge flammgeneratorn lite tid att anpassa sig till den nya inställningen. (Se Fig. 10)</p>
Huvudlamporna fungerar inte och det finns inga konstgjorda lågor eller rök.	<p>Det finns inget vatten i vattentanken.</p>	<p>Följ anvisningarna enligt Underhåll, "Påfyllning av vattentank".</p> <p>Kontrollera att kontakten är ansluten till vägguttaget på rätt sätt och att knapp "A" (Fig. 10) är i "PÅ"-läge (I).</p>

Johdanto

Kiitos, että olet valinnut Dimplex-sähkötulen. Lue tämä opas huolellisesti, jotta osaisit asentaa, käyttää ja huoltaa tuotettasi oikein.

Tärkeät turvallisuusohjeet

Sähkölaitteita käytettäessä on aina noudatettava perusturvallisuutta, jotta tulipalon, sähköiskun ja henkilövahinkojen riski olisi mahdollisimman pieni. Perusturvallisuuteen kuuluu:

1. VAROITUS

Älä aseta laitteen päälle kangasta tai peitettä äläkä estä ilman kiertoa laitteen ympärillä. Tässä laitteessa on varoitus ÄLÄ PEITÄ.



2. VAURIOT

Jos laite on vaurioitunut, ota yhteyttä jälleenmyyjään ennen laitteen asennusta ja käyttöä.

Jos laitteen virtajohto on vaurioitunut, se on vaihdettava uuteen. Tämän voi suorittaa laitteen valmistaja tai huoltoedustaja tai muu vastaava ammattitaitoinen henkilö. Näin vältetään sähköiskun vaaralta.

3. LAITTEEN SJOITTAMINEN

Älä käytä ulkona.

Älä käytä kylvyn, suihkun tai uima-altaan välittömässä läheisyydessä.

Älä aseta laitetta kiinteän pistorasian tai jakorasian alapuolelle.

Varmista, ettei huonekaluja, verhoja tai muita palavia materiaaleja ole 1 metriä lähempänä laitetta.

4. LAITTEEN SJOITTAMINEN PISTORASIAAN NÄHDEN

Laite on sijoitettava niin, että pistorasialle on esteetön pääsy.

Pidä virtajohto poissa laitteen edestä.

5. PISTOKKEEN IRROTTAMINEN

Häiriön sattuessa irrota pistoke.

Irrota pistoke myös, jos laite on kauan käyttämättä.

6. KÄYTTÄJÄ/OMISTAJA

Tämä laite ei ole tarkoitettu lasten tai sellaisten henkilöiden käytettäväksi, joilla on fyysisiä, henkisiä tai aisteihin liittyviä rajoitteita tai joilla ei ole kokemusta tai tietoa laitteesta, elleivät he ole valvonnassa tai ellei heidän turvallisuudestaan vastaava henkilö ole opastanut heitä laitteen käyttöön. Lapsia tulee valvoa, jotta he eivät leiki laitteella.

7. SÄHKÖ

VAROITUS - TÄMÄ LAITE ON MAADOITETTAVA.

Tämä laite voidaan kytkeä vain vaihtovirtalähteeseen ja verkkovirran jännitteen on vastattava laitteeseen merkittyä jännitettä.

Ennen virran kytkemistä, lue laitteen turvallisuus- ja käyttöohjeet.

VAROITUS - Älä peitä laitetta ylikuumenemisen välttämiseksi.

Yleiset tiedot

Käytä laitteessa vain suodatettua vettä.

Tämä malli on suunniteltu vapaasti seisovaksi ja se sijoitetaan yleensä seinän lähelle.

Varmista aina, että laite on asetettu tasaiselle alustalle.

Huomaathan: Jos laitetta käytetään tilassa, jossa taustamelu on erittäin vähäistä, voi siitä mahdollisesti kuulua liekkitehosteen aiheuttamaa ääntä. Tämä on normaalia eikä siitä tarvitse huolestua.

Laite voi sammua, jos siihen kohdistuu virtapiikki. Tämä on normaali turvallisuustoimenpide, ja tuote alkaa käydä uudelleen 30 sekunnin kuluttua.

Kun laite on asennettu, älä koskaan siirrä tai kaada sitä tyhjentämättä vesisäiliötä ja -kaukaloa.

Jos laitetta ei aiota käyttää yli 2 viikkoon, kaada vesi pois kaukalosta ja säiliöstä ja kuivaa kaukalo.

Vesisäiliö, kaukalo, kaukalon kansi, säiliön korkki ja ilmansuodattimet on puhdistettava kahden viikon välein, varsinkin alueilla, joissa vesi on erittäin kovaa.

Laitetta ei saa käyttää, jos lamput eivät toimi.

Lamput on tarkistettava säännöllisesti kohdissa 'Huolto' ja 'Lamppujen vaihto' mainitulla tavalla.

Asennusohjeet

Tässä osassa kuvataan laitteen kokoaminen.

ENNEN KOKOAMISTA

1. Varmista, että kaikki pakkausmateriaalit on poistettu (lue kaikki varoitustekstit huolellisesti) ja säästä kaikki pakkausmateriaalit myöhempää käyttöä, esim. muuttoa tai laitteen palauttamista varten.
2. Ennen laitteen kytkemistä verkkovirtaan varmista, että verkkovirran jännite vastaa laitteeseen merkittyä jännitettä.

ASENTAMINEN

Aseta laite seinää vasten.

Muuntajan ja lamppujen kytkeminen

1. Vapauta kaksi punaista painiketta kääntämällä niitä 90 astetta. (ks. kuva 2)
2. Nosta kaukalon suukappale ulos. (kuva 3)
3. Kiinnitä lamput lamppupidikkeisiin (kuva 4), aseta piikit varovasti reikiin. (kuva 4a)
4. Työnnä lamput tiiviisti paikoilleen.
5. Aseta muuntaja kaukaloon ja kytke johto kaukalon liittimeen. (kuva 5)
6. Varmista, että muuntaja on asetettu kaukaloon oikein. Muuntajan kieleke on kohdistettava kaukalon syvennykseen. (kuva 5a)
7. Varmista, ettei johto ole muuntajan levyn yläpuolella (kuva 5b). Estääksesi johdon puristumisen suukappaleen ja kaukalon väliin, aseta johto kaukalon seinämän rakoon.
8. Aseta kaukalon suukappale takaisin kiertämällä kahta punaista painiketta 90 astetta. (kuva 6)

Vesisäiliön täyttäminen

9. Aseta vesisäiliö pesualtaaseen ja poista korkki (avaa kiertämällä vastapäivään). (kuva 7)
10. Täytä vesisäiliö **vain suodatetulla hanavedellä**. Tämä on välttämätöntä liekki- ja savutehosteiden käyttöänsä pidentämiseksi. Vesi on suodatettava tavallisella kotikäyttöisellä suodattimella, joka vaihdetaan säännöllisesti. Laitteessa **ei saa** käyttää tislattua vettä.
11. Kierrä korkki takaisin paikoilleen – **älä kiristä liikaa**.
12. Aseta vesisäiliö kaukaloon säiliön korkki alaspäin ja säiliön tasainen puoli ulospäin. (kuva 8)

Sähkötulen kokoaminen

13. Aseta tulipesä vesisäiliön ja höyrysuuttimen päälle. (kuva 9)

Kytke virtajohto asianmukaiseen virtaliitäntään laitteen takana ja kytke virtajohto 13 A/240 V pistorasiaan. Laite on nyt valmis käytettäväksi.

Keinotulen käyttö

Tässä osassa kerrotaan, kuinka laitetta käytetään kaukosäätimen tai manuaalisten ohjaimien avulla.


MANUAALISET OHJAIMET

Manuaaliset ohjaimet sijaitsevat saranaluukun alla.
(ks. kuva 10, manuaaliset ohjaimet)

Kytkin A: Säättää virran syöttöä keinotuleen.

Huomaa: Tämän kytkimen on oltava ON-asennossa (I) laitetta käytettäessä.

Kytkin B: Käynnistä liekkitehoste painamalla kerran . Samalla kuuluu piippaus. Vaikka valot syttyvät heti, liekkitehosteen käynnistyminen kestää noin 30 sekuntia.

Aseta sähkötuli valmiustilaan painamalla . Samalla kuuluu yksi piippaus.

Säädin C: Säättää liekkitehosteen voimakkuutta.

Liekkitehoste voimistuu käännettäessä säädintä vasemmalle ja heikkenee käännettäessä säädintä oikealle.

HALUTUN LIEKKITEHOSTEEN SAAVUTTAMINEN

1. Liekin säädintä C (kuva 10) voidaan kääntää ylös tai alas aidomman tehosteen aikaansaamiseksi.
2. Yleensä liekkitehoste on aidoimmillaan, kun liekin säädin on käännetty alas.
3. Anna liekkiohjaimelle tarpeeksi aikaa reagoida tekemiisi säätöihin.
4. Laite käyttää vähemmän vettä, jos liekkitehoste on säädetty alhaiselle tasolle (säätöohjain C).
5. Älä kallista tai siirrä laitetta, kun säiliössä tai kaukalossa on vettä.
6. Varmista, että laite on tasaisella alustalla.

KAUKO-OHJAIMEN KÄYTTÖ

Ohjauspaneelin kytkimen A (ks. kuva 10) on oltava ON-asennossa (I) kauko-ohjainta käytettäessä. Kauko-ohjaimessa on 3 painiketta. (ks. kuva 12) Jotta kauko-ohjain toimisi oikein, sillä on osoitettava kotelon keskiosaa kohti. (ks. kuva 17). Kauko-ohjaimessa on seuraavat toiminnot:

- I Käynnistä liekkitehoste painamalla kerran. Samalla kuuluu yksi piippaus.



- Valmiustila
Samalla kuuluu yksi piippaus.

Hoito

YLEISIÄ NEUVOJA

Käytä laitteessa vain suodatettua hanavettä.

Varmista aina, että laite on asetettu tasaiselle alustalle.

Jos laitetta ei aiota käyttää yli 2 viikkoon, kaada vesi pois kaukalosta ja säiliöstä.

Kun laite on asennettu, älä koskaan siirrä tai kaada sitä tyhjentämättä vesisäiliötä ja -kaukaloa.

Laitetta ei saa käyttää, jos lamput eivät toimi.

Lamput on tarkistettava säännöllisesti kohdassa 'Lamppujen vaihto' mainitulla tavalla.

VESISÄILIÖN TÄYTTÄMINEN

Kun vesisäiliö on tyhjä, liekki- ja savuefektit sammuvat ja kuuluu kaksi piippausta. Noudata seuraavia ohjeita:

1. Käännä kytkin A asentoon (0). (ks. kuva 10)
2. Nosta tulipesä varovasti pois ja aseta sivuun.
3. Poista vesisäiliö nostamalla sitä ylös- ja ulospäin.
4. Aseta vesisäiliö tiskialtaaseen ja poista korkki (avaa kiertämällä vastapäivään). (kuva 7)
5. Täytä vesisäiliö **vain suodatetulla hanavedellä**. Tämä on välttämätöntä liekki- ja savuefektiä käyttöajan pidentämiseksi.
6. Vesi on suodatettava tavallisella kotikäyttöisellä suodattimella, joka vaihdetaan säännöllisesti.
7. Kierrä korkki takaisin paikoilleen, älä kiristä liikaa.
8. Aseta vesisäiliö takaisin kaukaloon säiliön korkki alaspäin ja säiliön tasainen puoli ulospäin. (kuva 8)
9. Aseta tulipesä varovasti takaisin paikoilleen. (kuva 9)
10. Käännä kytkin A asentoon ON (I). (ks. kuva 10)

LAMPPUJEN VAIHTAMINEN

Jos liekki- tai savutehoste on harmaa ja väritön, yksi tai useampi lamppu on voinut palaa.

Lamppujen toiminnan voi tarkistaa seuraavasti.

1. Nosta tulipesä ja vesisäiliö pois sammuttamatta liekkiefektiä.
2. Lamput pitäisi pystyä näkemään suukappaleen ollessa paikallaan ja näin selvittää, mikä niistä on vaihdettava.
3. Käännä kytkin A asentoon OFF (0) ja irrota laite verkkovirrasta.
4. Anna lamppujen jäähtyä 20 minuuttia ennen niiden vaihtamista.
5. Poista kaukalo kohdassa Puhdistus mainitulla tavalla.
6. Poista vaurioitunut lamppu nostamalla lamppua varovasti ylös ja irrottamalla piikit lampun pidikkeestä. (ks. kuvat 4 ja 4a)
7. Vaihda lamppuun Dimplex OPTIMYST, 12 V, 45 W, kanta Gu5.3, 8° sädekulma, värillinen.
8. Aseta uuden lampun kaksi piikkiä varovasti lampun pidikkeen kahteen reikään. Työnnä lamppu tiiviisti paikoilleen. (ks. kuvat 4 ja 4a)
9. Aseta kaukalo, suukappale, vesisäiliö ja tulipesä takaisin paikoilleen.

PUHDISTUS

Varoitus – Käännä kytkin A aina asentoon OFF (0) (ks. kuva 10) ja irrota laite aina virtalähteestä ennen puhdistusta.

Suosittellemme seuraavien osien puhdistusta 2 viikon välein, erityisesti hyvin kalkkipitoisilla vesialueilla:

Vesisäiliö, kaukalo, suukappale, säiliön korkki ja tiiviste, ilmansuodatin.

Käytä puhdistukseen pehmeää ja puhdasta liinaa - älä käytä koskaan hankaavia pesuaineita.

Poista kertynyt pöly tai nukka pölynimurin pehmeällä harjasuuttimella silloin tällöin.

Vesisäiliö

1. Poista vesisäiliö edellä mainitulla tavalla, vie pesualtaaseen ja tyhjennä.
2. Harjaa korkki sisäpuolelta laitteen mukana toimitetulla harjalla, puhdista erityisen huolellisesti ulomman uran kumirengas ja keskimäinen kumitiiviste.
3. Kaada säiliöön pieni määrä astianpesuainetta, kierrä korkki takaisin paikoilleen ja ravista hyvin, huuhtelee, kunnes kaikki astianpesuainejäämät on poistettu.
4. Täytä säiliö uudestaan vain suodatetulla hanavedellä, kierrä korkki takaisin paikoilleen, mutta älä kiristä liikaa.

Kaukalo

1. Käännä kytkin A asentoon OFF (0).
2. Nosta tulipesä varovasti pois ja aseta sivuun.
3. Poista vesisäiliö nostamalla sitä ylöspäin.
4. Irrota kaukalon oikealla puolella oleva sähköliitin. (ks. kuva 5).
5. Vapauta kaukalon oikeanpuoleiset lukituskiinnikkeet kääntämällä niitä 90 astetta. Näin kaukalo voidaan poistaa kokonaan paikoiltaan.
6. Nosta kaukaloa varovasti ylöspäin ja pidä sitä vaakatasossa, jotta vesi ei roisku. Aseta kaukalo pesualtaaseen.
7. Vapauta kaukalon vasemmanpuoleiset lukituspainikkeet kääntämällä niitä 90 astetta ja nosta suokappale pois. (ks. kuva 3)
8. Nosta muuntaja pois ja kallista varovasti kuten kuvassa, jotta vesi valuu ulos kaukalosta. (ks. kuva 13)
9. Kaada kaukaloon pieni määrä tiskiainetta ja puhdista laitteen mukana toimitetulla harjalla varovasti kaikki kaukalon pinnat ja muuntaja, mukaan lukien uritetun yläpinnan metallilevyt. (ks. kuva 14)
10. Kun kaukalo on puhdistettu, se on huuhteltava huolella tiskiainejäämien poistamiseksi.
11. Puhdista suokappale harjalla ja huuhtelee runsaalla vedellä. (ks. kuva 15)
12. Kokoa laite seuraamalla edellä mainittuja ohjeita lopusta alkuun.

Ilmansuodatin

1. Nosta tulipesä varovasti pois ja aseta sivuun.
2. Liu'uta ilmansuodatin varovasti ylöspäin ulos muovipidikkeestä. (ks. kuva 16)
3. Huuhtelee suodatin varovasti vedellä ja kuivaa kangaspyyhkeellä ennen asettamista takaisin.
4. Aseta suodatin takaisin varmistaen, että karkea musta suodatin on laitteen etupuolella.
5. Aseta tulipesä takaisin paikoilleen.

Lisätiedot

JÄLKIMYYNTIPALVELUT

Tuotteellasi on yhden vuoden takuu ostopäivästä lukien. Tänä aikana vastaamme tämän tuotteen korjauksesta tai vaihdosta veloituksetta (ei koske lampuja ja saatavuuden mukaan), mikäli tuote on asennettu ja sitä on käytetty näiden ohjeiden mukaisesti. Tämän takuun alaiset oikeudet ovat lisäetusi lakisääteisiin oikeuksiisi, joihin tämä takuu ei vaikuta.

KIERRÄTYS



Euroopan Yhteisön alueella myydyt sähkölaitteet - Käyttöikänsä loppuun tulleet sähkölaitteita ei saa hävittää kotitalousjätteen mukana. Kierrätä laitteet aina kun se on mahdollista. Tarkista kierrätysmääräykset paikallisviranomaisilta tai jälleenmyyjältä.

PATENTTI/PATENTTIHAKEMUS

Optimyst-sarjan tuotteet on suojattu yhdellä tai usealla seuraavista patenteista tai patenttihakemuksista:

Iso-Britannia GB 2402206, GB 2460259, GB 2460453, GB 2418014, GB 2465738, GB 2449925, GB 2465537, GB 2455277, GB 1020534.2, GB 1020537.5, GB 1110987.3

Yhdysvallat US 7967690, US 2010299980, US 2011062250, US 2008028648, US 13/167, 042

Venäjä RU 2008140317

Eurooppa EP 2029941, EP 2201301, EP 2315976, EP 1787063, EP 07723217.1, EP 11170434.2, EP 11170435.9

Kiina CN 101883953, CN 200980128666.2, CN 101057105, CN 101438104

Australia AU 2009248743, AU 2007224634

Kanada CA 2725214, CA 2579444, CA 2645939

Kansainvälinen patenttihakemus WO 2006027272

Etelä-Afrikka ZA 200808702

Meksiko MX 2008011712

Korea KR 20080113235

Japani JP 2009529649

Brasilia BR P10708894-9

Intia IN 4122/KOLNP/2008

Uusi-Seelanti NZ 571900

Vianmääritys

Vika	Syy	Toimenpide
Liekkitehoste ei käynnisty.	Laitetta ei ole kytketty verkkovirtaan. Vettä on vähän. Matalajänniteliitin ei ole kytketty oikein. (ks. kuva 5) Muuntaja ei ole paikallaan kaukalossa.	Tarkista, että pistoke on kytketty pistorasiaan oikein. Tarkista, että vesisäiliö on täynnä ja kaukalossa on vettä. Tarkista, että liitin on kytketty oikein. (ks. kuva 5) Varmista, että muuntaja on paikoillaan kaukalon syvennyksessä.
Liekkitehoste on liian matala.	Liekkitehosteen säätöohjain on asetettu liian pienelle. (ks. kuva 10) Muuntajan metallilevy on likainen. (ks. kuva 14) Muuntajan johto kulkee metallilevyn päältä.	Suurena liekkiä kääntämällä säätöohjainta C hitaasti vasemmalle. (ks. kuva 10) Puhdista metallilevy laitteen mukana toimitetulla pehmeällä harjalla. (ks. kuva 14) Katso osasta 'Hoito' yksityiskohtaiset ohjeet. Aseta johto kaukalon taakse ja varmista, että se kulkee kaukalon kyljen urassa.
Laitetta käytettäessä tulee epämiellyttävä haju.	Vesi on likaista. Vesi on suodattamatonta hanavettä.	Puhdista laite kohdassa hoito kuvatulla tavalla. Käytä vain suodatettua hanavettä.
Liekkitehoste tuottaa liikaa savua.	Liekkitehosteen säätöohjain on asetettu liian suurelle.	Kierrä liekkitehosteen säätöohjainta C oikealle noin ¼ kierrosta kerrallaan. Odota, että laite ehtii mukautua uusiin asetuksiin. (ks. kuva 10)
Lamput eivät toimi eikä laitteessa ole liekkejä tai savua.	Vesisäiliössä ei ole vettä.	Seuraa ohjeita kohdasta Hoito , Vesisäiliön täyttäminen. Tarkista, että pistoke on kytketty pistorasiaan oikein ja käännä kytkin A, kuva 10 asentoon ON (I).

Wstęp

Dziękujemy za wybranie kominka elektrycznego Dimplex. Proszę uważnie przeczytać niniejszy informator, by móc bezpiecznie instalować, używać i konserwować produkt.

Ważne zalecenie bezpieczeństwa

Podczas używania urządzeń elektrycznych zawsze należy przestrzegać podstawowych środków bezpieczeństwa, aby ograniczyć ryzyko pożaru, porażenia elektrycznego oraz obrażeń osób. Są to:

1. OSTRZEŻENIE

Nie kłaść na urządzeniu materiałów i odzieży ani nie blokować cyrkulacji powietrza wokół urządzenia.

Na urządzeniu znajduje się ostrzeżenie NIE ZAKRYWAĆ.



2. USZKODZENIE

Jeśli urządzenie jest uszkodzone, należy je sprawdzić z dostawcą przed zainstalowaniem i uruchomieniem.

Jeśli uszkodzony jest przewód zasilający, to, by uniknąć zagrożenia, musi on być wymieniony przez producenta, przedstawiciela serwisowego lub podobnie wykwalifikowaną osobę.

3. LOKALIZACJA

Nie wolno używać na zewnątrz.

Nie używać w bezpośrednim sąsiedztwie łazienek, pryszniców ani basenów.

Nie ustawiać kominka bezpośrednio pod zamocowanym gniazdkiem ani puszką połączeniową.

Upewnić się, że meble, zasłony i inne materiały palne są umieszczone nie bliżej niż 1 metr od urządzenia.

4. MIEJSCE WTYCZKI

Urządzenie musi być ustawione tak, aby wtyczka była dostępna.

Przewodu zasilającego nie wolno zbliżać do przedniej części urządzenia.

5. ODŁĄCZANIE

W razie usterki należy odłączyć urządzenie od sieci.

Urządzenie należy również odłączać od sieci, jeśli nie będzie używane przez długi czas.

6. WŁAŚCICIEL/UŻYTKOWNIK

To urządzenie nie może być używane przez dzieci lub osoby o ograniczonych zdolnościach fizycznych, sensorycznych lub psychicznych oraz nieposiadających odpowiedniego doświadczenia lub wiedzy, chyba że taka osoba jest nadzorowana lub została przeszkolona przez inną osobę, odpowiedzialną za bezpieczeństwo użytkownika. Należy dopilnować, aby dzieci nie używały urządzenia do zabawy.

7. ZASILANIE ENERGIĄ ELEKTRYCZNĄ

OSTRZEŻENIE - URZĄDZENIE MUSI BYĆ UZIEMIONE.

Urządzenie wolno podłączać tylko do sieci zasilania AC ~, a napięcie podane na urządzeniu musi być zgodne z napięciem zasilania.

Przed włączeniem należy przeczytać zalecenia bezpieczeństwa i instrukcje działania.

OSTRZEŻENIE - Aby uniknąć przegrzania, nie wolno zakrywać urządzenia.

Informacje ogólne

Do urządzenia należy stosować tylko przefiltrowaną wodę.

Ten model został skonstruowany do swobodnego ustawienia i z reguły jest ustawiany obok ściany.

Zawsze należy się upewnić, że urządzenie stoi na równej powierzchni.

Uwaga: Jeśli urządzenie jest używane w miejscu o bardzo niskim poziomie hałasu, mogą być słyszalne odgłosy będące wynikiem działania efektu płomienia. To zjawisko normalne i nie jest ono powodem do niepokoju.

Jeśli w urządzeniu dojdzie do przepięcia z jakiegokolwiek powodu, może się ono wyłączyć. Jest to typowa właściwość zabezpieczająca - produkt wznowi działanie po 30 sekundach.

Po zainstalowaniu nie wolno przesuwania urządzenia ani kłaść go na odwrocie bez uprzedniego usunięcia wody ze zbiornika odpływowego i zasobnika wody.

Jeśli urządzenie nie będzie używane przez ponad 2 tygodnie, należy spuścić wodę z zbiornika odpływowego i zasobnika wody, a następnie wysuszyć zbiornik odpływowy.

Zasobnik wody, zbiornik odpływowy, pokrywę zbiornika odpływowego, korek zbiornika i filtry powietrza należy czyścić raz na dwa tygodnie, szczególnie tam, gdzie woda jest twarda.

Nigdy nie należy używać urządzenia, jeśli lampy nie działają.

Lampy powinny być kontrolowane regularnie, tak jak opisano w rozdziale „Konserwacja” i „Wymiana lamp”.

Instrukcje instalacji

W tym rozdziale opisano, w jaki sposób skonfigurować kominek.

PRZED URUCHOMIENIEM

1. Upewnić się, że wszystkie elementy opakowania zostały zdjęte (dokładnie przeczytać wszystkie naklejki ostrzegawcze) i zachować całe opakowanie do wykorzystania w przyszłości, np. w przypadku przeprowadzki lub zwrotu urządzenia do dostawcy.
2. Przed podłączeniem do prądu należy sprawdzić, czy napięcie zasilające jest takie samo jak podano na urządzeniu.

INSTALACJA

Ustawić urządzenie przy ścianie.

Podłączanie modułu przetwornika i lamp

1. Odczepić dwa czerwone zaczepty, obracając je o 90 stopni. (patrz rys. 2)
2. Podnieść dyszę zbiornika odpływowego. (rys. 3)
3. Włożyć lampy w oprawki (rys. 4), ostrożnie wsuwający styki w otwory. (rys. 4a)
4. Wsunąć lampy mocno na swoje miejsce.
5. Ustawić moduł przetwornika w zbiorniku odpływowym i podłączyć kabel do złącza na zbiorniku odpływowym. (rys. 5)
6. Aby upewnić się, że moduł przetwornika jest prawidłowo umieszczony w zbiorniku odpływowym, zaczepty na module przetwornika powinien być na równi z wyciętym zagłębieniem na zbiorniku odpływowym. (rys. 5a)
7. Upewnić się, że kabel nie jest ułożony nad tarczą modułu przetwornika (rys. 5b). Aby uniknąć zaciśnięcia kabla między dyszą a zbiornikiem odpływowym, należy umieścić kabel w gnieździe na ścianie zbiornika odpływowego.
8. Wymienić dyszę zbiornika odpływowego i zabezpieczyć ją, obracając dwa czerwone zaczepty o 90 stopni. (rys. 6)

Napełnianie zasobnika wody

9. Ustawić zasobnik wody w zlewie i zdjąć nasadkę (obrócić w kierunku przeciwnym do ruchu wskazówek zegara, aby otworzyć). (rys. 7)
10. Do zasobnika wody nalewać **tylko przefiltrowaną wodę kranową**. Jest to konieczne dla przedłużenia żywotności zespołu generującego efekt płomienia i dymu. Woda powinna być filtrowana konwencjonalnym domowym filtrem wody, a filtr należy regularnie wymieniać. **Nie** wolno używać wody destylowanej.
11. Dokręcić nasadkę – **nie za mocno**.
12. Włożyć zasobnik wody do zbiornika odpływowego, korkiem skierowanym do dołu i płaską stroną zbiornika na zewnątrz. (rys. 8)

Montaż kominka

13. Ustawić palenisko na zasobniku wody i dyszy mgiełki. (rys. 9)

Podłączyć kabel zasilania do właściwego złącza z tyłu urządzenia, a następnie podłączyć kabel zasilania do gniazdka 13 A/240 V. Urządzenie jest gotowe do użycia.

Obsługa kominka



W tym rozdziale opisano, w jaki sposób załączyć kominek za pomocą przełączników ręcznych lub pilota.

PRZEŁĄCZNIKI RĘCZNE

Przełączniki ręczne znajdują się pod odchyloną klapą.
(Schemat przełączników ręcznych znajduje się na rys. 10)

Przełącznik A: Steruje zasilaniem elektrycznym kominka.

Uwaga: Przełącznik musi znajdować się w pozycji „ON” (I), aby kominek mógł działać.

Przełącznik B: Nacisnąć raz , aby włączyć efekt płomienia. Zostanie to zasygnalizowane sygnałem dźwiękowym. Mimo że główne lampy zaczną działać od razu, efekt płomienia zacznie się po kolejnych 30 sekundach.
Nacisnąć , aby ustawić kominek w tryb uśpiania. Zostanie to zasygnalizowane jednym sygnałem dźwiękowym.

Pokrętło sterowania C: Kontroluje intensywność efektu płomienia.

Obrócenie pokrętła sterowania w lewo zwiększa efekt płomienia, obrócenie pokrętła sterowania w prawo zmniejsza efekt płomienia.

UZYSKIWANIE ŻĄDANEGO EFEKTU PŁOMIENIA

1. Przełącznik sterowania płomienia C (rys. 10) można obracać w górę lub w dół, aby uzyskać bardziej realistyczny efekt.
2. Ogólnie płomień jest bardziej realistyczny, kiedy przełącznik płomienia jest przekreślony w dół.

3. Należy odczekać, aż generator płomienia zareaguje na wprowadzane zmiany.
4. Urządzenie będzie zużywać mniej wody, jeśli efekt płomienia zostanie ustawiony na niższym poziomie (pokrętko sterowania C).
5. Nie przechylać ani nie przesuwac urządzenia, jeśli w zbiorniku lub osadniku znajduje się woda.
6. Upewnić się, że urządzenie jest ustawione na równym podłożu.

OBSŁUGA PILOTEM

Na panelu sterowania, przełącznik A (patrz rys. 10) musi znajdować się w pozycji „ON” (I), aby pilot mógł działać. Na pilocie znajdują 3 przyciski. (patrz rys. 12) Aby właściwie obsługiwać pilota, musi być on nakierowany na przód paleniska. (patrz rys. 17). Pilot ma następujące funkcje:

- I Nacisnąć raz, aby włączyć efekt płomienia.
Zostanie to zasygnalizowane jednym sygnałem dźwiękowym.

-  Tryb uśpienia
Zostanie to zasygnalizowane jednym sygnałem dźwiękowym.

Konserwacja

PORADY OGÓLNE

Do urządzenia należy stosować tylko przefiltrowaną wodę kranową.

Zawsze należy się upewnić, że urządzenie stoi na równej powierzchni.

Jeśli urządzenie ma nie być używane przez ponad 2 tygodnie, należy zdjąć i opróżnić zbiornik odpływowy oraz zasobnik wody.

Po zainstalowaniu nie wolno przesuwac urządzenia ani kłaść go na odwrocie bez uprzedniego usunięcia wody ze zbiornika odpływowego i zasobnika wody.

Nigdy nie należy używać urządzenia, jeśli lampy nie działają.

Lampy powinny być kontrolowane regularnie, tak jak opisano w rozdziale „Wymiana lamp”.

NAPEŁNIANIE ZASOBNIKA WODY

Jeśli zasobnik wody jest pusty, to efekt płomienia i dymu przestanie działać. Rozlegną się 2 sygnały dźwiękowe i należy wykonać poniższe kroki.

1. Przesunąć przełącznik A na (0). (patrz rys. 10)
2. Delikatnie wyjąć palenisko i ostrożnie odłożyć na bok.
3. Wyjąć zasobnik wody, podnosząc go w górę i na zewnątrz.
4. Ustawić zasobnik wody w zlewie i zdjąć nasadkę (obrócić w kierunku przeciwnym do ruchu wskazówek zegara, aby otworzyć). (rys. 7)
5. Do zbiornika nalewać **tylko przefiltrowaną wodę kranową**. Jest to konieczne do przedłużenia żywotności zespołu generującego płomień i dym.
Woda powinna być filtrowana konwencjonalnym domowym filtrem wody, a filtr należy regularnie wymieniać.
6. Dokręcić nasadkę – nie za mocno.
7. Ponownie włożyć zbiornik do zbiornika odpływowego, nasadką skierowaną do dołu i płaską stroną zbiornika na zewnątrz. (rys. 8)
8. Delikatnie wstawić palenisko ponownie na swoje miejsce. (rys. 9)
9. Nacisnąć przełącznik A do pozycji „ON” (I). (patrz rys. 10)

WYMIANA LAMP

Jeśli efekt płomienia i dymu ma kolor szary lub jest bezbarwny, może oznaczać to awarię którejś z lamp.

Usterkę lampy można sprawdzić w następujący sposób.

1. Pozostawić włączony efekt płomienia i podnieść palenisko oraz zasobnik wody.
2. Powinna być możliwość zobaczenia lamp z dyszą i zauważenia, którą z nich należy wymienić.
3. Ustawić przełącznik A w pozycji „OFF” (0) i odłączyć kominiek od prądu.
4. Pozostawić urządzenie na 20 minut, aby lampy ostygły przed wyjęciem.
5. Wyjąć zbiornik odpływowy tak jak opisano w rozdziale Czyszczenie.
6. Wyjąć niesprawną lampę, delikatnie unosząc ją pionowo do góry, odłączając styki od oprawy lampy. (patrz rys. 4 i 4a)
Wymienić na kolorową lampę Dimplex OPTIMYST, 12V, 45W, podstawa Gu5.3, o kącie światła 8°.
7. Ostrożnie włożyć dwa styki nowej lampy w dwa otwory oprawy lampy. Mocno docisnąć. (patrz rys. 4 i 4a)
8. Zamontować zbiornik odpływowy, dyszę, zasobnik wody i palenisko.

CZYSZCZENIE

Ostrzeżenie – Zawsze ustawiać przełącznik A w pozycji „OFF” (0) (patrz rys. 10) i odłączać od zasilania przed czyszczeniem kominika.

Zalecamy czyszczenie poniższych komponentów co 2 tygodnie, szczególnie w miejscach z twardą wodą:

Zasobnik wody, zbiornik odpływowy, dysza, korek i uszczelka zasobnika, fi ltr powietrza.

Do ogólnego czyszczenia używać delikatnej i czystej ściereczki do kurzu -nie wolno używać środków o właściwościach ściernych.

Aby usunąć nagromadzenie kurzu lub pyłu, należy od czasu do czasu użyć modułu delikatnej szczotki z odkurzacza.

Zasobnik wody

1. Wyjąć zasobnik wody zgodnie z wcześniejszym opisem, umieścić w zlewie i wylać wodę.
2. Korzystając z dołączonej do urządzenia szczotki, delikatnie wytrzeć wewnętrzne powierzchnie korka, zwracając szczególną uwagę na gumowy pierścień w zewnętrznym rowku oraz na środkową gumową uszczelkę.
3. Wlać niewielką ilość płynu do naczyń do zasobnika, przykręcić korek i dobrze wstrząsnąć. Następnie płukać tak długo, aż zostaną dobrze wypłukane wszelkie pozostałości płynu do naczyń.
4. Napełnić wyłącznie przefiltrowaną wodą kranową, przykręcić korek (nie dokręcać za mocno).

Zbiornik odpływowy

1. Przeszawić przełącznik A w pozycję „OFF” (0).
2. Delikatnie unieść palenisko i ostrożnie położyć na podłodze.
3. Wyjąć zasobnik wody, podnosząc go do góry.
4. Odłączyć złącze elektryczne znajdujące się z prawej strony zbiornika odpływowego. (patrz rys. 5)
5. Odkręcić prawe zaczepty blokujące zbiornik odpływowego, obracając je o 90°. Pozwala to całkowicie wyciągnąć zbiornik odpływowy ze swojego miejsca.
6. Delikatnie podnieść zbiornik odpływowy, uważając, aby utrzymywać go równo i nie wylać wody. Umieścić zespół zbiornika w zlewie.
7. Zwolnić zaczepty blokujące zbiornika odpływowego po lewej stronie, obracając je o 90°, a następnie wyjąć dyszę (patrz rys. 3)
8. Wyjąć przetwornik i ostrożnie odchylić zbiornik, jak pokazano na rysunku, tak aby woda wypłynęła ze zbiornika odpływowego. (patrz rys. 13)
9. Wlać niewielką ilość płynu do naczyń do zbiornika i za pomocą dostarczonej szczotki delikatnie wyczyścić wszystkie powierzchnie zbiornika odpływowego oraz przetwornik wraz z metalowymi płytkami znajdującymi się w górnej przestrzeni z rowkami. (patrz rys. 14)
10. Po wyczyszczeniu należy dokładnie przepłukać zbiornik odpływowy czystą wodą, aby usunąć wszelkie pozostałości płynu czyszczącego.
11. Wyczyścić dyszę szczotką i wypłukać dokładnie wodą (patrz rys. 15)
12. Złożyć urządzenie, wykonując powyższe czynności w odwrotnej kolejności.

Filtr powietrza

1. Delikatnie unieść palenisko i ostrożnie położyć na podłodze.
2. Delikatnie wysunąć do góry fi ltr powietrza z plastikowego uchwytu. (patrz rys. 16)
3. Przepłukać delikatnie wodą w zlewie i przed zamontowaniem wytrzeć ręcznikiem papierowym.
4. Zamontować filtr, zwracając uwagę, aby wstępny czarny filtr był skierowany w stronę kominka.
5. Zamontować palenisko.

Dodatkowe informacje

OBŚLUGA POSPRZEDAŻOWA

Produkt posiada jednoroczną gwarancję od daty zakupu. W tym okresie naprawimy lub wymienimy ten produkt bezpłatnie (wyłączając lampy i w zależności od dostępności), pod warunkiem, że został zainstalowany i był obsługiwany zgodnie z niniejszymi instrukcjami. Prawa użytkownika wynikające z gwarancji uzupełniają prawa ustawowe, które nie są naruszane przez tą gwarancję.

RECYKLING



Dotyczy produktów elektrycznych sprzedawanych we Wspólnocie Europejskiej - Po zakończeniu okresu użytkowania produktów elektrycznych nie wolno ich wyrzucać z odpadami domowymi. Należy je oddawać do recyklingu tam, gdzie są takie możliwości. Porad dotyczących recyklingu w poszczególnych krajach udzielają lokalne władze lub sprzedawca.

PATENT/ZGŁOSZENIE PATENTOWE

Produkty z serii Optimyst są chronione co najmniej jednym z poniższych patentów lub zgłoszeń patentowych:

Wielka Brytania GB 2402206, GB 2460259, GB 2460453, GB 2418014, GB 2465738, GB 2449925, GB 2465537, GB 2455277, GB 1020534.2, GB 1020537.5, GB 1110987.3
 Stany Zjednoczone US 7967690, US 2010299980, US 2011062250, US 2008028648, US 13/167, 042
 Rosja RU 2008140317
 Europa EP 2029941, EP 2201301, EP 2315976, EP 1787063, EP 07723217.1, EP 11170434.2, EP 11170435.9
 Chiny CN 101883953, CN 200980128666.2, CN 101057105, CN 101438104
 Australia AU 2009248743, AU 2007224634
 Kanada CA 2725214, CA 2579444, CA 2645939
 Międzynarodowe zgłoszenie patentowe WO 2006027272
 Republika Południowej Afryki ZA 200808702
 Meksyk MX 2008011712
 Korea KR 20080113235
 Japonia JP 2009529649
 Brazylia BR P10708894-9
 Indie IN 4122/KOLNP/2008
 Nowa Zelandia NZ 571900

Rozwiązywanie problemów

Objaw	Przyczyna	Środek zaradczy
Nie uruchamia się efekt płomienia.	<p>Wtyczka prądu nie jest włączona.</p> <p>Niski poziom wody.</p> <p>Złącze niskiego napięcia nie jest podłączone prawidłowo. (patrz rys. 5)</p> <p>Moduł przetwornika nie jest prawidłowo umieszczony w zbiorniku odpływowym.</p>	<p>Sprawdzić czy wtyczka jest prawidłowo podłączona do gniazdka ściennego.</p> <p>Sprawdzić czy zasobnik wody jest pełny i czy jest woda w zbiorniku odpływowym.</p> <p>Sprawdzić czy złącze jest włożone prawidłowo. (patrz rys. 5)</p> <p>Sprawdzić, czy przetwornik jest prawidłowo umieszczony w wyprofilowanym zagłębieniu zbiornika odpływowego</p>
Efekt płomienia jest za słaby.	<p>Pokrętko sterowania efektem płomienia jest ustawione za nisko. (patrz rys. 10)</p> <p>Tarcza metalowa w przetworniku może być brudna. (patrz rys. 14)</p> <p>Przewód od zespołu przetwornika znajduje się nad metalową tarczą.</p>	<p>Zwiększyć poziom płomienia, obracając powoli pokrętko sterowania C w lewo. (patrz rys. 10)</p> <p>Wyczyścić metalową tarczę dostarczoną delikatną szczotką. (patrz rys. 14) W rozdziale „Konserwacja” opisana jest procedura krok po kroku.</p> <p>Poprowadzić przewód z tyłu osadnika i upewnić się, że znajduje się w bocznym gnieździe wychodząc z osadnika.</p>
Niemięły zapach podczas użytkowania.	<p>Brudna lub stęchła woda.</p> <p>Używanie nieprzefiltrowanej wody kranowej.</p>	<p>Wyczyścić zestaw tak opisano w rozdziale o konserwacji.</p> <p>Stosować tylko przefiltrowaną wodę kranową.</p>
Efekt płomienia ma zbyt wiele dymu.	<p>Ustawienie efektu płomienia jest za duże.</p>	<p>Obrócić pokrętko sterowania efektem płomienia C w prawo, jednorazowo o około ¼ obrotu. Odczekać, aż generator płomienia dostosuje się do nowego ustawienia. (patrz rys. 10)</p>
Główne lampy nie działają, nie ma płomieni ani dymu.	<p>W zasobniku wody nie ma wody.</p>	<p>Postępować zgodnie z instrukcjami w rozdziałach Konserwacja, „Napełnianie zasobnika wody”.</p> <p>Sprawdzić czy wtyczka jest prawidłowo podłączona do gniazdka ściennego, a przełącznik A na rys. 10 znajduje się w pozycji „ON” (I).</p>

Введение

Благодарим вас за выбор электрического камина Dimplex. Пожалуйста, внимательно прочтите данное руководство по эксплуатации, чтобы вы могли безопасно установить, эксплуатировать и осуществлять техническое обслуживание вашего электрического камина.

Важный совет по безопасности эксплуатации

Во время использования электрических устройств необходимо всегда соблюдать основные меры предосторожности, чтобы снизить риск возникновения пожара, поражения электрическим током и получения травм, включая следующие меры безопасности:

1. ВНИМАНИЕ

Не кладите на устройство материал или предметы одежды, а также не препятствуйте циркуляции воздуха вокруг него.

На этом устройстве имеется предупреждающая надпись "НЕ НАКРЫВАТЬ".



2. ПОВРЕЖДЕНИЕ

Если устройство повреждено, проконсультируйтесь по этому вопросу с производителем перед его установкой и эксплуатацией.

Если повреждена кабель подачи электропитания, он должен быть заменен производителем, уполномоченным специалистом по техническому обслуживанию или иным специалистом, имеющим надлежащий уровень квалификации, чтобы предотвратить риск поражения электрическим током.

3. МЕСТО РАСПОЛОЖЕНИЯ

Не используйте электрический камин на открытом воздухе!

Не используйте электрический камин в непосредственной близости от ванны, душа или плавательного бассейна.

Не устанавливайте электрический камин непосредственно под электрической розеткой или распределительным щитом.

Убедитесь, что мебель, занавески или другие легковоспламеняющиеся материалы расположены на расстоянии не менее 1 метра от электрического камина.

4. РАСПОЛОЖЕНИЕ ЭЛЕКТРИЧЕСКОЙ РОЗЕТКИ

Электрический камин должен быть установлен недалеко от электрической розетки.

Не допускайте нахождения кабеля подачи электропитания в непосредственной близости от передней части электрического камина.

5. ОТКЛЮЧЕНИЕ ОТ ЭЛЕКТРИЧЕСКОЙ СЕТИ

В случае возникновения неисправности отключите электрический камин от электрической сети.

Если электрический камин не будет использоваться в течение длительного периода времени, отключите его от электрической сети.

6. ВЛАДЕЛЕЦ/ПОЛЬЗОВАТЕЛЬ

Этот электрический камин не предназначен для эксплуатации детьми или лицами с ограниченными физическими, чувствительными или умственными способностями или лицами, которые не обладают достаточным опытом и знаниями, если только они не находятся под наблюдением или не получают инструкций, связанных с эксплуатацией устройства, от лица, ответственного за их безопасность. Необходимо присматривать за детьми, чтобы убедиться, что они не играют с электрическим камином.

7. ЭЛЕКТРИЧЕСКАЯ СЕТЬ

ВНИМАНИЕ! ДАННОЕ УСТРОЙСТВО ДОЛЖНО БЫТЬ ЗАЗЕМЛЕНО.

Питание данного устройства осуществляется только от сети переменного тока, а подаваемое напряжение питания должно соответствовать значению, указанному на устройстве.

Перед включением электрического камина прочтите инструкции по эксплуатации устройства и обеспечению его безопасной работы.

ВНИМАНИЕ! Во избежание перегрева, не накрывайте электрический камин.

Общая информация

Используйте в этом устройстве только фильтрованную воду.

Эта модель разработана как отдельное устройство и обычно устанавливается возле стены.

Всегда следите за тем, чтобы данное устройство было установлено на ровной поверхности.

Пожалуйста, обратите внимание: Если устройство используется в условиях с очень низким уровнем окружающего шума, можно услышать звук работы устройства, связанный с эффектом пламени. Это нормально и по этому поводу не следует беспокоиться.

Если во время работы данного устройства происходит скачок напряжения, устройство может отключиться. Это нормальная защитная функция и устройство восстановит свою работу через 30 секунд.

После установки устройства не перемещайте его и не кладите его на тыльную сторону, не спустив воду из поддона и бака для воды.

Если вы не будете использовать устройство более 2 недель, слейте воду из поддона и бака для воды и осушите поддон.

Необходимо проводить очистку бака для воды, поддона, крышки поддона, крышки бака и воздушных фильтров каждые две недели, особенно в регионах с высоким уровнем жесткости воды.

Никогда не эксплуатируйте устройство, если не работают лампы.

Необходимо регулярно осматривать лампы, как описано в разделе "Техническое обслуживание" и "Замена ламп".

Инструкции по установке

В этом разделе описывается порядок установки вашего электрического камина.

ПЕРЕД НАЧАЛОМ РАБОТЫ

1. Убедитесь, что вы удалили всю упаковку (внимательно прочтите все предупреждающие надписи на этикетках). Сохраните упаковку, чтобы иметь возможность использовать ее в будущем в случае переезда или возврата устройства вашему поставщику.
2. Перед подключением к электрической сети проверьте, чтобы подаваемое напряжение соответствовало напряжению, указанному на устройстве.

УСТАНОВКА

Установите устройство рядом со стеной.

Подключение блока преобразователя + ламп

1. Ослабьте два фиксатора красного цвета, повернув их на 90 градусов. (См. рисунок 2)
2. Выньте сопло поддона. (Рисунок 3)
3. Установите лампы в держатели для ламп (рисунок 4), осторожно вставив штыри в отверстия. (Рисунок 4а)
4. Вставьте лампы, чтобы они были надежно установлены на своем месте.
5. Установите блок преобразователя в поддон и подключите кабель к разъему, который находится на поддоне. (Рисунок 5)
6. Чтобы убедиться, что блок преобразователя правильно установлен в поддоне, проверьте, чтобы фиксатор, который находится на блоке преобразователя, находился на одной линии с литым углублением в поддоне. (Рисунок 5а)
7. Убедитесь, что кабель не установлен над диском в блоке преобразователя (рисунок 5b). Чтобы предотвратить защемление кабеля между соплом и поддоном, положите кабель в прорезь в стенке поддона.
8. Повторно установите сопло и зафиксируйте его, повернув два фиксатора красного цвета на 90 градусов. (Рисунок 6)

Заполнение бака для воды

9. Установите бак для воды в раковину и снимите крышку (чтобы открыть поверните ее против часовой стрелки). (Рисунок 7)
10. Заливайте в бак для воды **только фильтрованную воду из-под крана**. Это необходимо, чтобы увеличить срок службы электрического камина и устройства, создающего эффект дыма. Вода должна быть отфильтрована с использованием обычного бытового фильтра для воды, в котором необходимо регулярно менять фильтрующий элемент. **Нельзя** использовать дистиллированную воду.
11. Снова закрутите крышку, но **не затягивайте слишком сильно**.
12. Положите бак для воды в поддон таким образом, чтобы пробка бака была направлена вниз, а плоская сторона бака была направлена вверх. (Рисунок 8)

Сборка электрического камина

13. Установите топочную корзину поверх бака для воды и сопла устройства создания дыма. (Рисунок 9)

Подключите кабель электропитания к соответствующему разъему электропитания электрического камина, который находится в задней части устройства, а также к электрической розетке 13 A/240 В. Теперь устройство готово к эксплуатации.

Эксплуатация электрического камина


В этом разделе описываются способы включения вашего электрического камина с использованием кнопок ручного управления или пульта дистанционного управления.


КНОПКИ РУЧНОГО УПРАВЛЕНИЯ

Кнопки ручного управления расположены под откидной заслонкой на петлях. (См. рисунок 10, на котором показан внешний вид блока ручного управления.)

Переключатель 'A': Управление подачей электропитания к электрическому камину.

Примечание. Чтобы электрический камин работал, этот переключатель должен быть в положении 'ON (ВКЛ.)' (I).

Переключатель 'B': Нажмите кнопку  один раз, чтобы включить эффект пламени. Включение будет сопровождаться звуковым сигналом. Хотя основные индикаторы включаются немедленно, эффект пламени появится в течение следующих 30 секунд.

Нажмите кнопку , чтобы переключить электрический камин в режим ожидания. Переход в режим ожидания будет сопровождаться одним звуковым сигналом.

Ручка управления 'C': Управление интенсивностью эффекта пламени.

Поворот ручки управления влево увеличивает эффект пламени, а поворот ручки управления вправо уменьшает его.

УСТАНОВКА НЕОБХОДИМОГО ЭФФЕКТА ПЛАМЕНИ


1. Ручку управления эффектом пламени 'C' (рисунок 10) можно повернуть вверх или вниз, чтобы получить более реалистичный эффект.
2. В целом эффект пламени выглядит более реалистично, если ручка управления пламенем повернута вниз.
3. Подождите, пока генератор пламени перестроится в соответствии с внесенными вами изменениями.
4. Устройство будет потреблять меньшее количество воды, если эффект пламени установлен на более низкое значение (ручка управления 'C').
5. Не поворачивайте и не перемещайте электрический камин, если в баке или поддоне имеется вода.
6. Убедитесь, что электрический камин установлен на ровном полу.

ЭКСПЛУАТАЦИЯ С ИСПОЛЬЗОВАНИЕМ ПУЛЬТА ДИСТАНЦИОННОГО УПРАВЛЕНИЯ

На панели управления переключатель А (См. рисунок 10) должен находиться в положении 'ON (ВКЛ.)' (I), чтобы можно было управлять устройством с использованием пульта дистанционного управления.

На пульте дистанционного управления имеются 3 кнопки. (См. рисунок 12) Для правильной работы пульт дистанционного управления должен быть направлен на переднюю сторону решетки. (См. рисунок 17) Ниже перечислены функции пульта дистанционного управления.

- I Нажмите один раз, чтобы включить эффект пламени. Переход в режим ожидания будет сопровождаться одним звуковым сигналом.

-  Режим ожидания. Переход в режим ожидания будет сопровождаться одним звуковым сигналом.

Техническое обслуживание

ОБЩИЕ РЕКОМЕНДАЦИИ

Используйте в этом устройстве только фильтрованную воду.

Всегда следите за тем, чтобы данное устройство было установлено на ровной поверхности.

Если вы не собираетесь использовать данное устройство в течение более 2 недель, снимите и опустошите поддон и бак для воды.

После установки устройства не перемещайте его и не кладите его на тыльную сторону, не спустив воду из поддона и бака для воды.

Никогда не эксплуатируйте устройство, если не работают лампы.

Необходимо регулярно осматривать лампы, как описано в разделе "Замена ламп".

ЗАПОЛНЕНИЕ БАКА ДЛЯ ВОДЫ

Если бак для воды пуст, эффекты пламени и дыма отключаются. При этом вы услышите 2 звуковых сигнала. Для наполнения бака выполните следующие инструкции.

1. Установите выключатель 'A' в положение (0). (См. рисунок 10)
2. Осторожно поднимите топочную корзину и отставьте ее в сторону.
3. Снимите бак для воды, подняв его вверх и в сторону.
4. Положите бак для воды в раковину и снимите крышку, повернув ее против часовой стрелки. (Рисунок 7)
5. Заливайте в бак для воды **только фильтрованную воду из-под крана**. Это необходимо, чтобы увеличить срок службы электрического камина и устройства, создающего эффект дыма. Вода должна быть отфильтрована с использованием обычного бытового фильтра для воды, в котором необходимо регулярно менять фильтрующий элемент.
6. Заверните крышку, но не затягивайте слишком сильно.
7. Положите бак для воды в поддон таким образом, чтобы пробка бака была направлена вниз, а плоская сторона бака была направлена вверх. (Рисунок 8)
8. Осторожно установите топочную корзину на место. (Рисунок 9)
9. Установите переключатель 'A' в положение 'ON (ВКЛ.)' (I). (См. рисунок 10)

ЗАМЕНА ЛАМП

Если эффекты пламени и дыма серые или бесцветные, возможно, перегорела одна или несколько ламп. Вы можете проверить исправность ламп следующим образом.

1. Оставьте включенным эффект пламени и выньте топочную корзину и бак для воды.
2. Вы должны увидеть лампы через сопло, чтобы выяснить, какую из них необходимо заменить.
3. Установите переключатель 'A' в положение 'OFF (ВЫКЛ.)' (0), а затем отключите электрический камин от сети.
4. Перед заменой ламп подождите 20 минут, пока они остынут.
5. Снимите поддон в соответствии с инструкциями, указанными в разделе "Очистка".
6. Снимите неисправную лампу, осторожно подняв ее вертикально и отсоединив штырьки от патрона лампы. (См. рисунок 4 и 4а)
- Замените ее на цветную лампу Dimplex OPTIMYST, 12 В, 45 Вт, основание Gu5.3, угол ориентации луча 8°.
7. Осторожно вставьте два штырька новой лампы в два отверстия патрона лампы. Вставьте лампу, чтобы она надежно встала на свое место. (См. рисунок 4 и 4а)
8. Повторно установите на место поддон, сопло, бак для воды и топочную корзину.

ОЧИСТКА

Внимание! Всегда устанавливайте переключатель 'A' в положение 'OFF (ВЫКЛ.)' (0) (См. рисунок 10), а также отключайте электрический камин от электрической сети перед проведением его очистки.

Мы рекомендуем проводить очистку следующих деталей каждые 2 недели, особенно в регионах с жесткой водой:

бак для воды, поддон, сопло, крышка и уплотнение бака, воздушный фильтр.

Для проведения общей очистки используйте мягкую чистую тряпку для пыли и никогда не используйте абразивные чистящие средства.

Для удаления пыли или пуха время от времени необходимо использовать насадку пылесоса с мягкой щеткой.

Бак для воды

1. Снимите бак для воды, о котором упоминалось ранее, положите его в раковину и слейте из него воду.
2. Используя щетку, которая входит в комплект поставки, осторожно протрите внутренние поверхности крышки, уделяя особое внимание резиновому кольцу во внешнем канале и центральному резиновому уплотнению.
3. Залейте небольшое количество жидкости для мытья в бак, повторно закрутите крышку и хорошо встряхните, а затем промойте, пока не смоются все остатки жидкости для мытья.
4. Повторно залейте в бак фильтрованную воду из-под крана, заверните крышку, но не затягивайте ее слишком сильно.

Поддон

1. Установите переключатель 'A' в положение 'OFF (ВЫКЛ.)' (0).
2. Осторожно поднимите топочную корзину и положите ее на землю.
3. Снимите бак для воды, подняв его вверх.
4. Отключите электрический разъем, расположенный с правой стороны поддона. (См. рисунок 5)
5. Ослабьте фиксаторы, расположенные в правой части поддона, повернув их на 90°. Это позволит полностью поднять поддон.
6. Осторожно поднимите поддон, уделяя особое внимание тому, чтобы держать его ровно и не пролить воду. Положите резервуар в раковину.
7. Ослабьте фиксаторы слева, повернув их на 90°, а затем поднимите сопло. (См. рисунок 3)
8. Выньте датчик и осторожно поверните, как показано на рисунке, чтобы жидкость стекла из поддона. (См. рисунок 13)
9. Положите небольшое количество моющего средства в поддон и используя щетку, которая входит в комплект поставки, осторожно очистите все поверхности в поддоне. Затем осторожно очистите датчик, включая металлические диски, расположенные на верхней поверхности с каналами. (См. рисунок 14)
10. После проведения очистки тщательно промойте поддон чистой водой, чтобы смыть все остатки моющего средства.
11. Очистите сопло щеткой и тщательно промойте водой. (См. рисунок 15)
12. Повторите указанные выше действия в обратном порядке.

Воздушный фильтр

1. Осторожно поднимите топочную корзину и положите ее на землю.
2. Осторожно выньте воздушный фильтр из пластмассового держателя. (См. рисунок 16)
3. Промойте фильтр водой в раковине и протрите тканевым полотенцем, прежде чем установить воздушный фильтр на место.
4. Повторно установите фильтр, убедившись, что фильтр грубой очистки черного цвета направлен на переднюю часть электрического камина.
5. Повторно установите на свое место топочную корзину.

Дополнительная информация

ОТДЕЛ ПОСЛЕПРОДАЖНОГО ОБСЛУЖИВАНИЯ

На ваше устройство распространяется гарантийное обслуживание в течение одного года с даты приобретения. В течение этого периода времени мы берем на себя обязательства по бесплатному ремонту или замене этого устройства (за исключением ламп и в случае их наличия) при условии, что устройство было установлено и эксплуатировалось в соответствии с этими инструкциями. Ваши права в соответствии с этими гарантийными условиями являются дополнением к вашим законным правам, которые, в свою очередь, не зависят от данных гарантийных условий.

ПОВТОРНАЯ ПЕРЕРАБОТКА



Электрические устройства, проданные в Европейском союзе, нельзя утилизировать вместе с бытовыми отходами. Пожалуйста, сдавайте их на повторную переработку в специализированные пункты утилизации. Узнайте у ваших местных властей или у продавца о месте повторной переработки таких товаров.

ПАТЕНТ/ЗАЯВКА НА ПАТЕНТ

Товары под торговой маркой Optimyst защищены одним или несколькими патентами, которые перечислены далее, а также следующими поданными заявками на получение патентов.

Великобритания GB 2402206, GB 2460259, GB 2460453, GB 2418014, GB 2465738, GB 2449925, GB 2465537, GB 2455277, GB 1020534.2, GB 1020537.5, GB 1110987.3

США 7967690, US 2010299980, US 2011062250, US 2008028648, US 13/167, 042

Россия RU 2008140317

Европейский союз EP 2029941, EP 2201301, EP 2315976, EP 1787063, EP 07723217.1, EP 11170434.2, EP 11170435.9

Китай CN 101883953, CN 200980128666.2, CN 101057105, CN 101438104

Австралия AU 2009248743, AU 2007224634

Канада CA 2725214, CA 2579444, CA 2645939

Заявка на получение международного патента WO 2006027272

Южная Африка ZA 200808702

Мексика MX 2008011712

Корея KR 20080113235

Япония JP 2009529649

Бразилия BR P10708894-9

Индия IN 4122/KOLNP/2008

Новая Зеландия NZ 571900

Устранение неисправностей

Неисправность	Причина	Действие по устранению неисправности
Эффект пламени не включается.	<p>Штепсельная вилка не подключена к розетке.</p> <p>Низкий уровень воды.</p> <p>Неправильное подключение к разъему электропитания низкого напряжения. (См. рисунок 5)</p> <p>Блок преобразователя неправильно установлен в поддоне.</p>	<p>Проверьте, чтобы штепсельная вилка была правильно подключена к электрической розетке.</p> <p>Убедитесь, что бак для воды заполнен водой и что в поддоне также есть вода.</p> <p>Убедитесь, что разъем подключен правильно. (См. рисунок 5)</p> <p>Убедитесь, что датчик вставлен в литое углубление поддона.</p>
Слишком малый эффект пламени.	<p>Ручка регулировки эффекта пламени установлена на слишком низкое значение. (См. рисунок 10)</p> <p>Металлический диск преобразователя может быть загрязнен. (См. рисунок 14)</p> <p>Провод от блока преобразователя установлен на металлический диск.</p>	<p>Увеличьте эффект пламени, медленно повернув ручку управления 'С' влево. (См. рисунок 10)</p> <p>Очистите металлический диск мягкой щеткой, которая входит в комплект поставки. (См. рисунок 14) Пошаговые инструкции вы можете найти в разделе "Техническое обслуживание".</p> <p>Направьте провод в заднюю часть поддона и убедитесь, что он проложен через боковой паз, который выходит из поддона.</p>
Во время эксплуатации электрического камина появляется неприятный запах.	<p>Грязная или застоявшаяся вода.</p> <p>Использование нефilterованной воды из-под крана.</p>	<p>Очистите электрический камин в соответствии с инструкциями, указанными в разделе "Техническое обслуживание".</p> <p>Используйте только фильтрованную воду из-под крана.</p>
Вместе с эффектом пламени появляется слишком большое количество дыма.	Регулятор эффекта пламени установлен на слишком большое значение.	Поверните ручку регулировки эффекта пламени 'С' направо, примерно на $\frac{1}{4}$ оборота за один раз. Подождите немного, пока генератор пламени применит новые настройки. (См. рисунок 10)
Основные лампы не работают и отсутствует эффект пламени или дым.	В баке нет воды.	<p>Следуйте инструкциям, которые приведены в разделе "Техническое обслуживание" и "Заполнение бака водой".</p> <p>Убедитесь, что штепсельная вилка подключена к электрической розетке правильно и переключатель 'А', показанный на рисунке 10, установлен в положение 'ON (ВКЛ.)' (I).</p>

Popis

Děkujeme, že jste si vybrali tento elektrický oheň od firmy Dimplex. Přečtěte si prosím pozorně tohoto informačního průvodce, abyste mohli bezpečně výrobek instalovat, používat a provádět jeho údržbu.

Důležitá bezpečnostní upozornění

Při použití elektrických zařízení se vždy dodržují základní bezpečnostní opatření, aby nedocházelo k riziku požáru, zasažení elektrickým proudem a osobním zraněním osob včetně následujících pokynů:

1. PŘEHŘÁTÍ

Topné těleso nezakrývejte, aby nedošlo k jeho přehřátí. Na topné těleso nepokládejte materiály nebo oděv a neblokuje oběh vzduchu okolo topení.

Toto topné těleso je vybaveno varováním NEZAKRÝVAT.



2. POŠKOZENÍ

Pokud je spotřebič poškozen, informujte dodavatele ještě před instalací a uvedením zařízení do provozu.

Pokud je napájecí kabel poškozený, musí být vyměněný výrobcem nebo jeho servisním zástupcem nebo podobně kvalifikovanou osobou k zamezení rizika.

3. UMÍSTĚNÍ

Nepoužívejte zařízení ve venkovním prostředí.

Nepoužívejte zařízení v bezprostřední blízkosti vany, sprchy nebo plaveckého bazénu.

Topné těleso neumísťujte přímo pod elektrickou zásuvku nebo svorkovou skříňku.

V blízkosti menší než 1 metr od topného tělesa nesmí být umístěn nábytek, záclony či jiný hořlavý materiál.

4. UMÍSTĚNÍ ZÁSTRČKY

Zařízení musí být umístěno tak, aby byla zástrčka snadno dosažitelná.

Zástrčka se nesmí nacházet před topným tělesem.

5. ODPOJENÍ

V případě poruchy odpojte od napájení.

Odpojte zařízení, pokud jej dlouhodobě nepoužíváte.

6. VLASTNÍK/UŽIVATEL

Toto zařízení není určeno k obsluze osobami (včetně dětí), které mají snížené fyzické, senzomotorické či mentální schopnosti nebo nedostatek zkušeností a znalostí obsluhy, pokud nejsou pod dohledem nebo nejsou o použití přístroje informováni osobou zodpovědnou za jejich bezpečnost. Děti by měly být pod dozorem, aby se zajistilo, že si se zařízením nemohou hrát.

7. ELEKTŘINA

UPOZORNĚNÍ - TOTO ZAŘÍZENÍ MUSÍ BÝT UZEMNĚNO.

Toto topné těleso musí být připojeno pouze na střídavý proud a napětí uvedené na topném tělese musí odpovídat napájecímu napětí.

Před zapnutím zařízení si prosím přečtěte bezpečnostní pokyny a instrukce k používání.

UPOZORNĚNÍ - K zamezení přehřátí zařízení nepřikrývejte.

Všeobecná informace

V tomto zařízení používejte pouze filtrovanou vodu.

Tento model může volně stát a je běžně umístěn blízko zdi.

Vždy se ujistěte, že zařízení spočívá na rovném povrchu.

Uvědomte si prosím: Při použití zařízení v prostředí s velmi nízkým hlukem je možné slyšet zvuk související s plamenovým efektem. Toto je běžné používání a nemělo by být důvodem ke znepokojení.

Jestliže se tento výrobek setká z jakéhokoliv důvodu s nárazy proudu, může se vypnout. To je normální bezpečnostní vlastnost a zařízení obnoví provoz po 30 sekundách.

Po instalaci nikdy zařízením nehýbejte ani jej nepokládejte na zadní část bez vypuštění vody z jímky nebo zásobníku vody.

Jestliže nebudete zařízení používat déle než 2 týdny, vypusťte vodu z jímky a zásobníku vody a jímku vysušte.

Zásobník vody, jímka, víko jímky, uzávěr zásobníku vody a vzduchové filtry musí být čištěny jednou za dva týdny zvláště tam, kde se vyskytuje tvrdá voda.

Zařízení by nikdy nemělo být používáno jestliže žárovky nesvítili.

Žárovky by měly být pravidelně kontrolovány jak je popsáno v části 'Údržba' a 'Výměna žárovek'.

Pokyny k instalaci

V této části je popsáno jak zažehnout váš oheň.

PŘEDTÍM NEŽ ZAČNETE

1. Přesvědčte se, zda je odstraněn všechen balící materiál (pečlivě si přečtete všechny varovné značky) a uschovejte jej pro budoucí použití, např. pokud se budete stěhovat nebo budete přístroj vracet dodavateli.
2. Před připojením zařízení k síťové zásuvce zkontrolujte, zda napájecí napětí odpovídá hodnotě uvedené na tělese.

INSTALACE

Umístěte zařízení ke zdi.

Připojení jednotky převodníku + žárovek

1. Uvolněte dvě červené přichytky jejich otočením o 90 stupňů. (viz Obr. 2)
2. Vyzvedněte trysku jímky. (Obr. 3)
3. Vložte žárovky do držáků (Obr. 4), opatrně umístěte kolíčky do otvorů. (Obr. 4a)
4. Zasuňte žárovky pevně na své místo.
5. Umístěte do jímky jednotku převodníku a připojte kabel ke konektoru jímky. (Obr. 5)
6. Ujistěte se, že je převodník správně vložen do jímky tak, že přichytka na jednotce převodníku by měla být v linii s tvarovaným lůžkem jímky. (Obr. 5a)
7. Ujistěte se, že kabel není položen na disku jednotky převodníku (Obr. 5b). Aby nedošlo k přiskřípnutí kabelu mezi tryskou a jímkou umístěte kabel do otvoru stěny jímky.
8. Trysku jímky dejte na původní místo a zajistěte ji otočením dvou červených přichytek o 90 stupňů. (Obr. 6)

Naplnění nádržky na vodu

9. Umístěte zásobník vody do dřezu a vyjměte jeho uzávěr (otočením v protisměru hodinových ručiček). (Obr. 7)
10. Zásobník vody naplněte pouze **filtrovanou vodou z kohoutku**. To je nezbytné k větší životnosti plamenu a kouřového efektu jednotky. Voda by měla být přefiltrována přes obvyklý domácí filtr na vodu a filtr by měl být pravidelně vyměňován. Destilovaná voda nesmí být **not** použita.
11. Zašroubujte zpět uzávěr – **nepřetahuje ho**.
12. Zásobník vody umístěte do jímky, aby uzávěr zásobníku vody směřoval dolů a plochá strana zásobníku aby směřovala ven. (Obr. 8)

Kompletace ohně

13. Umístěte palivové lože na horní část zásobníku vody a rozprašovací trysku. (Obr. 9)

Připojte napájecí kabel k příslušnému napájecímu konektoru v zadní části zařízení a vložte zástrčku napájecího kabelu do síťové zásuvky o parametrech 13 Amp/240 V. Nyní je zařízení připraveno k použití.



Řízení ohně

Tato část popisuje jak aktivovat váš oheň pomocí ručních ovladačů nebo dálkového ovládání.

RUČNÍ OVLADAČE

Ruční ovladače jsou umístěny pod sklopnou klapkou.
(rozvržení ručních ovladačů viz Obr. 10)

Přepínač 'A': Ovládá dodávku elektrické energie do topení.
Poznámka: Tento přepínač musí být v pozici 'ZAP' (I) k řízení ohně.

Přepínač 'B': Jedním  stisknutím zapnete efekt hořícího paliva. Bude indikováno slyšitelným pípnutím. I když napájení funguje okamžitě, bude trvat přibližně dalších 30 sekund, než se efekt hořícího paliva projeví.
Stiskněte  a topení se přepne do pohotovostního režimu. To bude indikováno jedním zvukovým pípnutím.

Otočný ovladač 'C': Řídí intenzitu efektu plamene.
Otočením nastavovacího knoflíku vlevo dojde k zvýšení efektu plamene, otočením vpravo k snížení efektu plamene.

NASTAVENÍ POŽADOVANÉHO EFEKTU PLAMENE

1. Nastavovací knoflík plamene 'C' (Obr. 10) může být zvýšen nebo snížen k většímu realistickému efektu.
2. Obecně vypadají plameny realističtěji, je-li ovladač plamene natočen dolů.
3. Nechejte generátor plamene přizpůsobit se provedeným změnám.
4. Topení spotřebuje méně vody, jestliže je efekt plamene nastaven na nižší úroveň (nastavovací knoflík 'C').
5. Nenaklánějte zařízení ani nepřesouvejte topení, je-li v nádrži nebo jímce voda.
6. Ujistěte se, že zařízení spočívá na rovném povrchu.

DÁLKOVÉ OVLÁDÁNÍ

Přepínač A (viz Obr. 10) na ovládacím panelu musí být v pozici 'ZAP' (I), aby mohl dálkový ovladač fungovat. Na dálkovém ovládacím panelu jsou 3 tlačítka. (viz Obr. 12) Aby dálkové ovládacím panel správně fungoval, musí směřovat k přední části mřížky. (viz Obr. 17). Dálkový ovladač funguje následovně:

- I Stiskněte jednou k zapnutí efektu hořícího plamene.
To bude indikováno jedním zvukovým pípnutím.



- Pohotovostní režim
To bude indikováno jedním zvukovým pípnutím.

Údržba

VŠEOBECNÉ TIPY

V tomto zařízení používejte pouze filtrovanou vodu z kohoutku.

Vždy se ujistěte, že zařízení spočívá na rovném povrchu.

Jestliže nebudete toto zařízení používat déle než 2 týdny, vyjměte a vyprázdněte jímku a zásobník vody.

Po instalaci nikdy zařízením nehýbejte ani jej nepokládejte na zadní část bez vypuštění vody z jímky nebo zásobníku vody.

Zařízení by nikdy nemělo být používáno jestliže žárovky nesvítily.

Žárovky by měly být pravidelně kontrolovány, jak je popsáno v části 'Výměna žárovek'.

NAPLNĚNÍ NÁDRŽKY NA VODU

Je-li nádržka na vodu vyprázdněna, efekt hořícího paliva a kouře se vypne a uslyšíte 2 zvuková pípnutí, v tomto případě proveďte tyto kroky.

1. Stiskněte přepínač 'A' na (0). (viz Obr. 10)
2. Jemně vyzvedněte palivové lůžko a opatrně ho dejte stranou.
3. Vyjměte zásobník vody vyzvednutím nahoru a ven.
4. Vložte nádržku na vodu do umyvadla a odstraňte uzávěr, otočte proti směru hodinových ručiček. (Obr. 7)
5. Naplňte nádržku **pouze filtrovanou vodou z kohoutku**. To je nezbytné pro prodloužení životnosti jednotky vytvářející plamen a kouř.
6. Voda by měla být přefiltrována přes obvyklý domácí filtr na vodu a filtr by měl být pravidelně vyměňován.
7. Našroubujte uzávěr zpět, nepřekroutit.
8. Umístěte nádržku do jímky, uzávěr nádržky musí směřovat dolů a plochá strana musí směřovat ven. (Obr. 8)
9. Jemně umístěte palivové lože zpět do své pozice. (Obr. 9)
10. Stiskněte přepínač 'A' do 'ON' (I) pozice. (viz Obr. 10)

VÝMĚNA ŽÁROVEK

Pokud jsou efekty hořícího paliva a kouře šedé či bezbarvé, může to být způsobeno vadnou žárovkou nebo více vadnými žárovkami.

Vadnou žárovku zjistíte následovně.

1. Efekt hořícího paliva nechte zapnutý, zvedněte palivové lože a nádržku na vodu.
2. Nyní by měly být vidět žárovky s tryskou a můžete zjistit, která z nich potřebuje vyměnit.
3. Dejte přepínač 'A' do pozice 'OFF' (0) a vysuňte napájecí kabel ze síťové zásuvky.
4. Nechejte zařízení 20 minut, aby mohly žárovky vychladnout, předtím než je vyjmete.
5. Vyjměte jímku tak, jak je popsáno v části Čištění.
6. Vyjměte vadnou žárovku jemným svislým vyzvednutím, aby se uvolnily kolíčky z držáku žárovky. (viz Obr. 4 a 4a). Nahraďte ji barevnou žárovkou Dimplex OPTIMYST, 12V, 45W, Gu5.3 base, 8° úhel paprsku.
7. Opatrně vložte dva kolíčky nové žárovky do dvou otvorů v držáku žárovky. Pevně ji zatlačte na své místo. (viz Obr. 4 a 4a).
8. Vložte zpět jímku, trysku, zásobník vody a palivové lože.

ČIŠTĚNÍ

Upozornění – Vždy přepněte přepínač 'A' do 'OFF' (0) pozice (viz Obr. 10) a před čištěním vyjměte napájecí kabel ze síťové zásuvky.

Doporučujeme čištění následujících částí jednou za dva týdny zvláště v oblastech s tvrdou vodou:

Nádržka na vodu, jímka, tryska, uzávěr zásobníku vody a těsnění, vzduchový filtr.

Pro běžné čištění použijte jemnou čistou prachovku - nikdy nepoužívejte abrazivní čisticí prostředky.

K odstranění akumulovaného prachu nebo chuchvalců použijte jemný kartáč vysavače prachu - ten by měl být příležitostně použit.

Nádržka na vodu

1. Vyjměte nádržku na vodu, jak bylo vysvětleno již dříve, vložte ho do umyvadla a vylijte vodu.
2. Přiloženým kartáčem jemně otírejte vnitřní povrchy uzávěru a věnujte zvláštní pozornost gumovému prstenci ve

vnější drážce a ve středu pryžového těsnění.

3. Do nádržky nalijte malé množství mycího prostředku, nasadte uzávěr a dobře zatřepete, pak vyplachujte, až se odstraní všechny stopy mycího prostředku.

4. Naplňte jen filtrovanou vodou z kohoutku, vložte zpět jeho uzávěr, nepřetahujte ho.

Jímka

1. Stiskněte přepínač 'A' do 'OFF' (0) pozice.

2. Jemně vyzvedněte palivové lože a opatrně jej položte na zem.

3. Vyjměte nádržku vyzvednutím nahoru.

4. Odpojte elektrický konektor umístěný na pravé straně jímky. (viz Obr. 5).

5. Uvolněte uzamykací štítky jímky otočením o 90°. Tím bude možno jímku zcela vyjmout ze svého místa.

6. Jemně vyzvedněte jímku a věnujte pozornost hladině, aby nedošlo k vylití vody. Vložte do umyvadla.

7. Uvolněte zamykací štítky otočením o 90° a pak zvedněte trysku. (viz Obr. 3)

8. Zvedněte a opatrně ho nakloňte, aby z jímky vytekla veškerá kapalina. (viz Obr. 13)

9. Do jímky nalijte malé množství mycího prostředku a přiloženým kartáčkem jemně vyčistěte všechny povrchy v jímce a jemně vyčistěte včetně kovových disků umístěných v horní části drážkového povrchu. (viz Obr. 14)

10. Po čištění důkladně opláchněte jímku čistou tekoucí vodou, abyste odstranili všechny stopy mycího prostředku.

11. Vyčistěte trysku kartáčkem a důkladně ji vypláchněte vodou. (viz Obr. 15)

12. K opětovnému smontování zařízení použijte výše uvedený postup v opačném pořadí.

Vzduchový filtr

1. Jemně vyzvedněte palivové lože a opatrně jej položte na zem.

2. Jemně posuňte vzduchový filtr nahoru z plastového držáku. (viz Obr. 16)

3. Jemně jej opláchněte vodou v umyvadle a před vložením zpět ho vysušte ručníkem z látky.

4. Nasadte filter tak, aby hrubý černý filtr směřoval směrem dopředu k topení.

5. Nasadte palivové lůžko.

Doplňková informace

POPRODEJNÍ SERVIS

Váš výrobek má záruční dobu jeden rok od data jeho zakoupení. Během této záruční doby vám výrobek bezplatně opravíme nebo vyměníme (vyjma žárovek & dle dostupnosti) za předpokladu, že jste ho instalovali a používali ve shodě s těmito pokyny. Vaše práva pod touto zárukou jsou dodatečná k vašim zákonným právům, která nejsou postupně ovlivněna touto zárukou.

RECYKLACE



U elektrických výrobků prodávaných uvnitř Evropské unie - Elektrické výrobky nesmí být likvidovány spolu s domovním odpadem. Recyklujte je prosím ve vybraných zařízeních. Konzultujte recyklaci s místními úřady ve vaší zemi.

PATENT/PATENTOVÁ PŘIHLÁŠKA

Výrobky sortimentu Optimyst jsou chráněny jedním nebo více z následujících patentů a žádostmi o udělení patentu:

Velká Británie GB 2402206, GB 2460259, GB 2460453, GB 2418014, GB 2465738, GB 2449925, GB 2465537, GB 2455277, GB 1020534.2, GB 1020537.5, GB 1110987.3

USA US 7967690, US 2010299980, US 2011062250, US 2008028648, US 13/167, 042

Rusko RU 2008140317

Evropa EP 2029941, EP 2201301, EP 2315976, EP 1787063, EP 07723217.1, EP 11170434.2, EP 11170435.9

Čína CN 101883953, CN 200980128666.2, CN 101057105, CN 101438104

Austrálie AU 2009248743, AU 2007224634

Kanada CA 2725214, CA 2579444, CA 2645939

Mezinárodní přihláškou patentu WO 2006027272

Jižní Afrika ZA 200808702

Mexiko MX 2008011712

Korea KR 20080113235

Japonsko JP 2009529649

Brazílie BR P10708894-9

Indie IN 4122/KOLNP/2008

Nový Zéland NZ 571900

Řešení problémů

Příznak	Příčina	Náprava
Efekt plamene se nespustí.	Zástrčka napájecího kabelu není zapojena. Nízká hladina vody. Konektor nízkého napětí není správně zapojen. (viz Obr. 5) Jednotka u není správně umístěna na jímce.	Zkontrolujte, zda je zástrčka správně zasunuta do zdi. Zkontrolujte, zda je nádržka na vodu plná a v jímce je voda. Zkontrolujte, zda je konektor správně zapojen. (viz Obr. 5) musí být správně umístěn směrem dolů na tvarované zahlobnutí v jímce.
Efekt hořícího paliva je příliš nízký.	Otočný ovladač efektu hořícího paliva je nastaven příliš nízkou. (viz Obr. 10) Kovový disk jednotky u může být zašpiněn. (viz Obr. 14) Kabel z jednotky převodníku je umístěn na kovovém disku.	Zvyšte úroveň plamene pomalým otočením nastavovacího knoflíku 'C' mírně vlevo. (viz Obr. 10) Kovový disk čistěte přiloženým jemným kartáčkem. (viz Obr. 14) Viz 'Údržba.' k postupu krok za krokem. Nasměrujte drát dozadu do jímky a přesvědčte se, zda je umístěn v bočním otvoru vedoucím z jímky.
Při použití jednotky je cítit nepříjemný zápach.	Špinavá nebo zatuchlá voda. Používání nefiltrované kohoutkové vody.	Jednotku čistěte dle návodu v části Údržba. Používejte pouze filtrovanou vodu z kohoutku.
Efekt hořícího paliva má příliš mnoho kouře.	Efekt hořícího paliva je nastaven příliš vysoko.	Otočte ovladač 'C' doprava asi o ¼ otáčky najednou. Po nějaký čas nechejte generátor hořícího paliva přizpůsobit se novému nastavení. (viz Obr. 10)
Hlavní žárovky nefungují, a proto nejsou žádné plameny nebo kouř.	V nádržce není žádná voda.	Postupujte podle pokynů v části Údržba , 'Plnění nádržky na vodu'. Zkontroluje, zda je zástrčka správně zasunuta do zásuvky ve zdi, a zda je přepínač 'A' Obr. 10 v poloze 'ZAP' (I).

Įžanga

Dėkojame, kad pasirinkote „Dimplex“ elektrinę krosnelę. Atidžiai perskaitykite šios instrukcijos informaciją tam, kad galėtumėte saugiai sumontuoti, naudoti ir prižiūrėti savo produktą.

Svarbūs su sauga susiję patarimai

Naudojantis elektros prietaisais būtina visada laikytis pagrindinių atsargumo priemonių tam, kad būtų išvengta gaisro, nusikrėtimo elektra, sužalojimo ar susižalojimo rizikos, įskaitant:

1. DĖMESIO!

Ant prietaiso oro cirkuliacijos ertmių niekada nedėkite jokių medžiagų ar drabužių tam, kad neuždengtumėte šių ertmių.

Ant šio prietaiso yra įspėjimas NEUŽDENGTI.



2. APGADINIMAS

Jei prietaisas apgadintas, prieš sumontuojant ir naudojantis pasikonsultuokite su pardavėju.

Jei apgadintas maitinimo laidas, jį turi pakeisti gamintojas, techninio aptarnavimo atstovas arba tinkamos kvalifikacijos asmuo tam, kad būtų išvengta pavojaus.

3. VIETA

Nesinaudokite šiuo prietaisu lauke.

Nesinaudokite šiuo prietaisu netoli vonios, dušo ar baseino.

Nestatykite šios krosnelės tiesiogiai po pritvirtintu elektros maitinimo lizdu arba jungčių dėžute.

Užtikrinkite, kad baldai, užuolaidos ir kitos degios medžiagos nebūtų arčiau nei 1 metro atstumu nuo šio prietaiso.

4. MAITINIMO KIŠTUKO VIETA

Prietaisas turi būti pastatytas tokioje vietoje, kad būtų lengva prieiti prie maitinimo kištuko.

Maitinimo laidas turi būti atokiau nuo prietaiso priekinės dalies.

5. IŠJUNGIMAS IŠ MAITINIMO LIZDO

Gedimo atveju prietaisą išjunkite iš maitinimo lizdo.

Iš maitinimo lizdo prietaisą taip pat išjunkite jei juo nesinaudojate arba jei neekspluatuojate ilgesnį laiką.

6. SAVININKAS/NAUDOTOJAS

Šis prietaisas nėra skirtas naudotis vaikams arba asmenims su nepakankamais fiziniais, sensoriniais arba protiniais gebėjimais, arba nepakankama patirtimi ir nepakankamomis žiniomis apie naudojimąsi tokiais prietaisais, išskyrus atvejus, kada tokius asmenis naudojantis prietaisu prižiūri arba apmoko naudotis asmuo, atsakingas už jų saugą. Būtina prižiūrėti vaikus siekiant užtikrinti, kad jie šiuo prietaisu nežaistų.

7. ELEKTRA

DĖMESIO! ŠĮ PRIETAISĄ BŪTINA ĮŽEMINTI.

Šis prietaisas turi būti jungiamas tik į AC (kintamosios srovės, t.y. „~“ ženklų pažymėtą) maitinimo tinklą, maitinimo tinklo įtampa turi atitikti ant prietaiso nurodytą maitinimo įtampą.

Prieš įjungiant prietaisą būtina perskaitykite saugos patarimus ir naudojimosi prietaisu instrukcijas.

DĖMESIO! Neuždenkite šio prietaiso, nes uždengtas jis perkais.

Bendroji informacija

Šiame prietaise naudokite tik filtruotą vandenį.

Šis modelis sukurtas laisvam stovėjimui ir paprastai statomas netoli sienos.

Visada užtikrinkite, kad prietaisas būtų statomas ant lygaus paviršiaus.

Pastaba: Naudojant prietaisą ten, kur aplinkos triukšmas labai nedidelis, gali girdėtis garsas, kuris susijęs su ugnies efekto veikimu. Tai normalu ir dėl to neturėtumėte susirūpinti.

Jei produktas būtų prijungtas prie maitinimo šaltinio su šokinėjančia elektros įtampa, produktas gali išsijungti. Tai įprasta apsauginė funkcija, išsijungęs produktas vėl pradės veikti po 30 sekundžių.

Kai prietaisą paruošite darbui, niekada neperkeldinėkite šio prietaiso ir neguldyskite jo ant nugarėlės prieš tai rinktuvo ir vandens indo neišleidę vandens.

Jei neketinate naudotis prietaisu ilgiau nei 2 savaites, iš surinktuvo ir vandens bako išpilkite vandenį.

Vandens baką, surinktuvą, surinktuvo dangtį, bako dangtelį ir oro filtrus būtina valyti kas dvi savaites, ypač tada, kai naudojamas kietas vanduo.

Draudžiama naudotis šiuo prietaisu jei neveikia jo lempos.

Lempas reikia reguliariai tikrinti – žr. informaciją skyreliuose „Techninė priežiūra“ ir „Lempų keitimas“.

Paruošimo eksploatavimui instrukcijos

Šiame skyrelyje pateikiamas krosnelės paruošimo naudotis aprašymas.

PRIEŠ PRADEDANT NAUDOTIS

1. Patikrinkite, ar nuimta visa pakuočių medžiaga (atidžiai perskaitykite bet kokias įspėjamas etiketes) ir išsaugokite visas pakuotes ateičiai, pavyzdžiui, jei reikėtų kraustyti, grąžinti prietaisą tiekėjui.
2. Prieš pajungdami prietaisą į maitinimo lizdą, patikrinkite, ar maitinimo lizdo įtampa atitinka ant prietaiso nurodytą maitinimo įtampą.

SUMONTAVIMAS

Pastatykite prietaisą prie sienos.

Keitiklio bloko ir lempų pajungimas

1. Išimkite dvi lempas pasukdami jas 90 laipsnių kampu. (Žr. pav. 2)
2. Išimkite surinktuvo purkštuką. (pav. 3)
3. Įstatykite lempas į lempų laikiklius (pav. 4) atidžiai pritaikydami kontaktų galiukus skylėse. (pav. 4a)
4. Tvirtai įspauskite lempas į vietai.
5. Į surinktuvą įdėkite keitiklio bloką ir prijunkite laidą prie surinktuvo kontakto. (pav. 5)
6. Norint įsitikinti, ar keitiklio blokas teisingai įdėtas į surinktuvą, patikrinkite, ar ant keitiklio bloko esanti auselė susilygiuoja su grioveliu, esančiu surinktuve. (pav. 5a)
7. Užtikrinkite, kad laidas neitų virš disko ant keitiklio bloko. (pav. 5b) Tam, kad būtų išvengta laido prispaudimo tarp purkštuko ir surinktuvo, laidą dėkite į ertmę, esančią surinktuvo sienelėje.
8. Į vietai įdėkite surinktuvo purkštuką ir pritvirtinkite jį pasukdami dvi raudonas kilpeles 90 laipsnių kampu. (pav. 6)

Vandens bako užpildymas

9. Įstatykite vandens baką į praustuvą ir nuimkite dangtelį (pasukite prieš laikrodžio rodyklę, kad atidarytumėte). (pav. 7)
10. Vandens baką užpildykite **tik filtruotu čiaupo vandeniu**. Tai būtina siekiant prailginti liepsnos ir dūmų efekto bloko tarnavimo laiką. Vanduo turi būti filtruojamas naudojant įprastą buitinį vandens filtrą, filtras turi būti reguliariai keičiamas nauju. Nenaudokite **distiliuoto** vandens.
11. Uždėkite į vietai ir užsukite dangtelį **nepriverždami per stipriai**.
12. Įdėkite vandens baką į surinktuvą taip, kad bako dangtelis būtų nukreiptas žemyn, o plokščia bako pusė būtų nukreipta į išorę. (pav. 8)

Krosnelės surinkimas

13. Ant vandens bako ir dulksnos purkštuko viršaus uždėkite kuro laikiklį. (pav. 9)

Pajunkite maitinimo laidą prie atitinkamos maitinimo jungties ant prietaiso nugarėlės ir įkiškite maitinimo laido kištuką į 13 A, 240 V maitinimo lizdą. Dabar prietaisas paruoštas naudoti.

Naudojimasis ugnies funkcija



Šiame skyrelyje aprašoma, kaip aktyvuoti ugnį naudojant rankinį arba nuotolinį valdymą.

RANKINIS VALDYMAS

Rankinio valdymo įtaisai yra po atverčiama sklende.
(Žr. pav. 10 apie rankinio valdymo įtaisų išdėstymą)

Jungiklis „A“: Juo valdomas elektros padavimas į krosnelę.

Pastaba: Šis jungiklis turi būti „ON“ (I), t.y. įjungimo, padėtyje norint, kad veiktų ugnies efektas.

Jungiklis „B“: Vieną kartą paspauskite  norėdami įjungti liepsnos efektą. Tai patvirtins pyptelėjimas. Nors pagrindinės šviesos įsijungia iškart, reikia palaukti apie 30 sekundžių, kol įsijungs liepsnos efektas. Spauskite  norėdami perjungti liepsną į parengties režimą. Tai patvirtins vienas pyptelėjimas.

Regulatorius „C“: Juo reguliuojamas liepsnos efekto intensyvumas.

Sukant regulatorių į kairę liepsnos efektas didės, sukant į dešinę – liepsnos efektas mažės.

NORIMO LIEPSNOS EFEKTO NUSTATYMAS

1. Liepsnos efekto regulatorių „C“ (pav. 10) galima sukti aukštyn arba žemyn norint gauti realistiškesnį liepsnos efektą.
2. Dažniausiai liepsna atrodo realistiškesnė, kada liepsnos regulatorius pasuktas žemyn.
3. Palaukite, kol liepsnos generatorius sureaguos į atliktus reguliavimo pokyčius.
4. Prietaisas naudos mažiau vandens jei liepsnos efektas bus nustatytas į mažesnę lygmenį (regulatoriumi „C“).


5. Nepakreipkite ir neperkeldinėkite prietaiso, jei jo vandens baka arba surinktuvė yra vandens.
6. Prietaisą visada statykite ant lygių grindų.

NAUDOJIMASIS NUOTOLINIŲ VALDYMU

Ant valdymo skydelio esantis jungiklis „A“ (Žr. pav. 10) turi būti „ON“ (I), t.y. įjungimo padėtyje, norint, kad veiktų nuotolinis valdymas.

Ant nuotolinio valdymo pultelio yra 3 mygtukai. (Žr. pav. 12) Norint, kad nuotolinis valdymas veiktų, pultelį reikia nukreipti į priekinę prietaiso dalį grotelių link. (Žr. pav. 17) Nuotolinio valdymo pultelio funkcijos yra šios:

- I Spauskite vieną kartą norėdami įjungti liepsnos efektą.
Tai patvirtins vienas pyptelėjimas.

-  Parengties režimas
Tai patvirtins vienas pyptelėjimas.

Techninė priežiūra

BENDRIEJI PATARIMAI

Šiam prietaisui naudokite tik filtruotą vandenį iš čiaupo.

Visada užtikrinkite, kad prietaisas būtų statomas ant lygaus paviršiaus.

Jei planuojate prietaisu nesinaudoti ilgiau nei 2 savaites, išimkite ir ištuštinkite surinktuvą ir vandens baką.

Kai prietaisą paruošite darbui, niekada neperkeldinėkite šio prietaiso ir neguldyskite jo ant nugarėlės prieš tai rinktuvo ir vandens indo neišleidę vandens.

Draudžiama naudotis šiuo prietaisu jei neveikia jo lempos.

Lempas reikia reguliariai tikrinti taip, kaip tai aprašyta skyrelyje „Lempų keitimas“.

VANDENS BAKO UŽPILDYMAS

Ištuštėjus vandens bakui liepsnos ir dūmų efektai išsijungia, pasigirsta 2 pyptelėjimai, po kurių reikia atlikti šiuos žingsnius.

1. Spauskite jungiklį „A“ į padėtį (0). (Žr. pav. 10)
2. Atsargiai iškelkite kuro pagrindą ir atsargiai padėkite į šoną.
3. Išimkite vandens baką pakeldami aukštyn ir tada iškeldami.
4. Įdėkite vandens baką į praustuvą ir nuimkite dangtelį pasukdami jį pagal laikrodžio rodyklę, kad atsidarytų. (pav. 7)
5. Užpildykite baką **tik filtruotu vandeniu**. Tai reikalinga tam, kad prailgintumėte liepsnos ir dūmų efektą gaminančio bloko tarnavimo laiką.
- Vanduo turi būti filtruojamas naudojant įprastą buitinį vandens filtrą, filtras turi būti reguliariai keičiamas nauju.
6. Prisukite dangtelį į vietą, neperveržkite.
7. Įdėkite vandens baką į surinktuvą taip, kad bako dangtelis būtų nukreiptas žemyn, o plokščia bako pusė būtų nukreipta į išorę. (pav. 8)
8. Švelniai paspauskite kuro pagrindą į savo vietą. (pav. 9)
9. Paspauskite jungiklį „A“ į „ON“ (I) padėtį. (Žr. pav. 10)

LEMPŲ KEITIMAS

Jei liepsna arba dūmai atrodo pilki arba bespalviai, gali būti, kad sugedo viena ar daugiau lempų.

Lempas dėl gedimų galite patikrinti taip.

1. Palikite įjungtą liepsnos efektą, iškelkite kuro pagrindą ir vandens baką.
2. Lempos turi matytis purkštukui esant savo vietoje ir turi matytis, kurias lempos reikia pakeisti.
3. Perjunkite jungiklį „A“ į „OFF“ (0) padėtį, išjunkite prietaiso maitinimo laidą iš maitinimo lizdo.
4. Palaukite apie 20 minučių tam, kad lempos atvėstų ir tada jas išimkite.
5. Išimkite surinktuvą kaip tai aprašyta skyrelyje „Valymas“.
6. Išimkite perdegusią lempą atsargiai pakeldami vertikaliai, tada ištraukdami lempos kontaktus iš lempos laikiklio. (Žr. pav. 4 ir 4a)
- Perdegusią lempą pakeiskite „Dimplex OPTIMYST“, 12V, 45W, Gu5.3 pagrindo, 8° spindulio kampo spalvota lempa.
7. Atsargiai įstatykite du naujos lempos kontaktus į lempos laikiklį. Tvirtai įspauskite į vietą. (Žr. pav. 4 ir 4a)
8. Į vietą įstatykite surinktuvą, purkštuką, vandens baką ir kuro pagrindą.

VALYMAS

Dėmesio! Visada nuspauskite jungiklį „A“ į „OFF“ (0) padėtį (Žr. pav. 10) ir ištraukite prietaiso maitinimo laidą iš maitinimo lizdo prieš atlikdami valymo darbus.

Šiuos komponentus rekomenduojame valyti kas 2 savaites, ypač tada, kai naudojamas kietas vanduo: vandens baką, surinktuvą, purkštuką, bako dangtelį ir tarpinę, oro filtrą.

Bendriesiems valymo darbams naudokite švarią minkštą šluostę, niekada nenaudokite šveitimo priemonių. Dulkių ir pūkų sancaupų valymui naudokite dulkių siurblio minkšto šepetėlio galvutę.

Vandens bakas

1. Išimkite vandens baką taip, kaip aprašyta aukščiau, įdėkite į praustuvą ir išpilkite vandenį.
2. Naudodamiesi pridedamu šepetiu atsargiai iššveiskite vidinius dangtelio paviršius ypatingą dėmesį atkreipdami į guminį žiedą, esantį išoriniame griovelyje, bei centrinei guminei tarpinei.
3. Į baką įpilkite nedidelį plovimo skysčio kiekį, užsukite dangtelį ir gerai pakratykite baką, tada skalaukite tol, kol nebesimatys plovimo skysčio pėdsakų.
4. Pripildykite filtruotu vandeniu, į vietą uždėkite ir užsukite dangtelį, neprivėžkite per stipriai.

Surinktuvas

1. Spauskite jungiklį „A“ į „OFF“ (0) padėtį.
2. Atsargiai iškelkite kuro pagrindą ir jį atsargiai padėkite ant žemės.
3. Išimkite vandens baką pakeldami jį aukštin.
4. Atjunkite elektros jungtį, esančią dešinėje surinktovo pusėje. (Žr. pav. 5)
5. Atlaisvinkite dešinėje pusėje esančius surinktovo blokavimo kilpeles pasukdami jas 90° kampu. Taip galėsite visiškai iškelti surinktuvą iš jo vietos.
6. Atsargiai pakelkite surinktuvą stengdamiesi jį išlaikyti tolygiai, kad neišpiltumėte vandens. Padėkite surinktuvą į praustuvą.
7. Atlaisvinkite kairėje surinktovo pusėje esančias kilpeles pasukdami jas 90°, tada iškelkite purkštuką. (Žr. pav. 3)
8. Iškelkite keitiklį ir jį atsargiai pakreipkite, kaip pavaizduota paveikslėlyje, taip, kad skystis ištekėtų iš surinktovo. (Žr. pav. 13)
9. Į surinktuvą įpilkite nedidelį kiekį plovimo skysčio ir naudodami pridedamą šepetį švelniai nušveiskite visus surinktovo paviršius, atsargiai nuvalykite keitiklį, įskaitant metalinius diskus, esančius paviršiuje su grioveliais. (Žr. pav. 14)
10. Baigę valymą gerai išskalaukite surinktuvą vandeniu, kad pašalintumėte bet kokius plovimo skysčio likučius.
11. Purkštuvą valykite naudodami šepetį, tada gerai praplaukite vandeniu. (Žr. pav. 15)
12. Surinkite įrangą vadovaudamiesi atvirkštine išardymui tvarka.

Oro filtras

1. Atsargiai iškelkite kuro pagrindą ir jį atsargiai padėkite ant žemės.
2. Atsargiai išstumkite oro filtrą aukštin iš jo plastikinio laikiklio. (Žr. pav. 16)
3. Atsargiai praplaukite vandeniu praustuve ir nusausinkite sausu medžiaginiu rankšluosčiu prieš įstatydami į vietą.
4. Filtrą įstatykite taip, kad rupus juodas filtras būtų nukreiptas į priekinę ugnies dalį.
5. Į vietą įstatykite kuro pagrindą.

Papildoma informacija

APTARNAVIMAS PO PARDAVIMO

Jūsų produktui suteikiama vienerių metų garantija skaičiuojant nuo jo pirkimo datos. Šio laikotarpio metu mes įsipareigojame nemokamai suremontuoti sugedusį produktą arba pakeisti jį nauju kokybišku (išskyrus lempas) su sąlyga, kad produktą sumontavote ir juo naudojotės laikydamiesi šių instrukcijų. Šalia šios garantijos Jūs galite turėti ir papildomas įstatymuose nustatytas teises, kurios gali papildyti šią garantiją ir jos sąlygas.

PERDIRBIMAS



Europos Bendrijoje galioja reikalavimas, pagal kurį draudžiama išmesti atitarnavusios elektros ir elektronikos produktus kartu su buitinėmis atliekomis. Juos būtina priduoti perdirbimui į specialius punktus. Dėl susijusios informacijos savo valstybėje teiraukitės savo vietos valdžios institucijų arba pardavėjo.

PATENTAS/PATENTO GALIOJIMAS

„Optimyst“ produktai saugomi vieno arba daugiau patentų, kurie galioja šiuose regionuose ir šiose valstybėse:

Didžioji Britanija GB 2402206, GB 2460259, GB 2460453, GB 2418014, GB 2465738, GB 2449925, GB 2465537, GB 2455277, GB 1020534.2, GB 1020537.5, GB 1110987.3

Jungtinės Amerikos Valstijos US 7967690, US 2010299980, US 2011062250, US 2008028648, US 13/167, 042

Rusija RU 2008140317

Europos Sąjunga EP 2029941, EP 2201301, EP 2315976, EP 1787063, EP 07723217.1, EP 11170434.2, EP 11170435.9

Kinija CN 101883953, CN 200980128666.2, CN 101057105, CN 101438104

Australija AU 2009248743, AU 2007224634

Kanada CA 2725214, CA 2579444, CA 2645939

Tarptautinis patento WO 2006027272 galiojimas

Pietų Afrika ZA 200808702

Meksika MX 2008011712

Korėja KR 20080113235

Japonija JP 2009529649

Brazilija BR P10708894-9

Indija IN 4122/KOLNP/2008

Naujoji Zelandija NZ 571900

Gedimų diagnostika

Simptomas	Priežastis	Kokius veiksmus atlikti
Liepsnos efektas nepasileidžia.	Į maitinimo lizdą neįkištas maitinimo laidas. Nepakanka vandens. Neteisingai pajungta žemos įtampos jungtis. (Žr. pav. 5) Keitiklio blokas neteisingai įdėtas į surinktuvą.	Patikrinkite ar į maitinimo lizdą įkištas maitinimo laido kištukas. Patikrinkite ar pilnas vandens bakas ir ar yra vandens surinktuve. Patikrinkite, ar teisingai sujungta jungtis. (Žr. pav. 5) Patikrinkite, ar keitiklis įstatytas į surinktuvę esančią formą.
Liepsnos efektas nepakankamas.	Liepsnos efekto reguliatorius nustatytas į nepakankamą padėtį. (Žr. pav. 10) Keitiklyje esantis metalinis diskas gali būti užterštas. (Žr. pav. 14) Laidas iš keitiklio bloko eina per metalinį diską.	Padidinkite liepsnos lygį lėtai pasukdami reguliatorių „C“ į kairę pusę. (Žr. pav. 10) Nuvalykite metalinį diską naudodami pridedamą šepetį. (Žr. pav. 14) Žr. skyrelį „Priežiūra“ dėl išsamios procedūros. Nukreipkite laidą į surinktuvo nugarėlę ir patikrinkite, ar jis įeina į ertmę, išeinančią iš surinktuvo.
Naudojant prietaisą sklinda nemalonas kvapas.	Nešvarus arba sugedęs vanduo. Naudojamas nefiltruotas vanduo iš čiaupo.	Išvalykite įrangą taip, kaip tai aprašyta priežiūros skyrelyje. Naudokite tik filtruotą vandenį iš čiaupo.
Liepsnos efektas skleidžia per daug dūmų.	Liepsnos efekto nustatymas per didelis.	Pasukite liepsnos efekto reguliatorių „C“ į dešinę pusę, apie ¼ pasukimo vienu metu. Palaukite, kol liepsnos generatorius prisiderins prie naujojo nustatymo. (Žr. pav. 10)
Pagrindinės lempos neveikia ir nėra liepsnos arba dūmų.	Vandens bako nėra vandens.	Atlikite veiksmus pagal instrukcijas, kurios aprašytos skyrelyje Techninė priežiūra , „Vandens bako užpildymas“. Patikrinkite ar maitinimo laido kištukas įjungtas į maitinimo lizdą ir ar jungiklis „A“, pav. 10, yra „ON“ (I) padėtyje.

Úvod

Ďakujeme, že ste si vybrali tento elektrický krb Dimplex. Pozorne si prečítajte tento informačný návod, aby ste váš výrobok vedeli bezpečne nainštalovať, používať a udržiavať.

Dôležité bezpečnostné odporúčanie

Pri používaní elektrických zariadení je nutné vždy dodržiavať základné preventívne opatrenia, znížite tak riziko požiaru, úrazu elektrickým prúdom a zranenia osôb. Medzi tieto opatrenia patria:

1. UPOZORNENIE

Neumiestňujte na zariadenie žiadne predmety ani časti oblečenia a neobmedzujte prúdenie vzduchu okolo zariadenia. Na zariadení je upozornenie DO NOT COVER (NEZKRÝVAŤ).



2. POŠKODENIE

Ak je zariadenie poškodené, pred inštaláciou a použitím sa obráťte na dodávateľa.

Ak je napájací kábel poškodený, musí ho vymeniť výrobca alebo servisný zástupca, prípadne podobne kvalifikovaná osoba, predídete tak možnému ohrozeniu.

3. UMIESTNENIE

Nepoužívajte vonku.

Nepoužívajte v bezprostrednej blízkosti vane, sprchy či bazéna.

Neumiestňujte krb priamo pod elektrickú zásuvku ani rozvodnú skrinku.

Zaistíte, aby bol nábytok, záclony alebo iné horľavé materiály minimálne 1 meter od zariadenia.

4. UMIESTNENIE ZÁSTRČKY

Zariadenie musí byť umiestnené tak, aby bol vždy možný prístup k zástrčke.

Napájací kábel umiestnite tak, aby sa nenachádzal pred zariadením.

5. ODPOJENIE

V prípade poruchy odpojte zariadenie.

Zariadenie odpojte, ak ho nebudete dlhšiu dobu používať.

6. VLASTNÍK/POUŽÍVATEĽ

Toto zariadenie nie je určené deťom ani osobám so zníženými fyzickými, zmyslovými a duševnými schopnosťami, osobám bez skúseností a vedomostí, ak pri nich nie je dozor, prípadne neboli oboznámené s pokynmi na používanie zariadenia osobou, ktorá je zodpovedná za ich bezpečnosť. Deti musia byť pod dozorom, aby sa so zariadením nehrali.

7. ELEKTRINA

UPOZORNENIE – TOTO ZARIADENIE MUSÍ BYŤ UZEMNENÉ.

Toto zariadenie možno napájať len striedavým prúdom a napätie vyznačené na zariadení sa musí zhodovať s napätím v zásuvke.

Pred zapnutím si prečítajte bezpečnostné odporúčania a pokyny na obsluhu.

UPOZORNENIE – Aby nedošlo k prehriatiu, zariadenie nezakrývajte.

Všeobecné informácie

V zariadení sa môže používať len filtrovaná voda.

Tento model je navrhnutý tak, že môže voľne stáť a byť bežne umiestnený v blízkosti steny.

Vždy sa uistite, či je zariadenie položené na rovnom povrchu.

Poznámka: Pri používaní v prostredí, v ktorom je veľmi nízka hlučnosť, môže byť počuť zvuk, ktorý súvisí s používaním efektu plameňa. Je to normálne a nemusíte sa nijako znepokojovať.

Ak sa na výrobku vyskytne prepätie z akéhokoľvek dôvodu, činnosť výrobku sa môže prerušiť. Je to bežná bezpečnostná funkcia a po 30 sekundách bude výrobok znova fungovať.

Po nainštalovaní výrobok nikdy nepresúvajte ani nenakláňajte dozadu bez vyprázdnenia vane a zásobníka na vodu.

Ak zamýšľate nepoužívať zariadenie dlhšie ako 2 týždne, vyprázdnite vaňu a zásobník na vodu a vaňu utrite do sucha.

Zásobník na vodu, vaňa, veko vane, veko zásobníka a vzduchové filtre je potrebné čistiť každé dva týždne, najmä v oblastiach, kde je tvrdá voda.

Zariadenie sa nesmie nikdy používať, ak nefungujú lampy.

Lampy je potrebné pravidelne kontrolovať, ako je to popísané v časti „Údržba“ a „Výmena lúčových“.

Pokyny na inštaláciu

Táto časť popisuje, ako krb nainštalovať.

PREDTÝM, AKO ZAČNETE

1. Odstráňte všetky časti obalu (pozorne si prečítajte všetky štítky s upozornením) a obal si odložte pre prípad, že ho budete potrebovať, napríklad pri sťahovaní alebo vrátení zariadenia dodávateľovi.
2. Pred zapojením do elektrickej zásuvky skontrolujte, či je napätie v zásuvke rovnaké, ako je vyznačené na zariadení.

INŠTALÁCIA

Položte zariadenie k stene.

Zapojenie jednotky transduktora a lúčových trysiek

1. Otočením o 90 stupňov uvoľníte dve červené západky. (pozrite Obr. 2)
2. Vytiahnite vaňovú trysku. (Obr. 3)
3. Vložte lampy do držiakov (Obr. 4), pričom pozorne zasuňte kolíky do otvorov. (Obr. 4a)
4. Pevne lampy zatlačte na miesto.
5. Vložte jednotku transduktora do vane a zapojte káble do konektora na vani. (Obr. 5)
6. Ak je jednotka transduktora správne umiestnená vo vani, západka na jednotke transduktora by mala byť zároveň s vytlisovaným výčnelkom vo vani. (Obr. 5a)
7. Uistite sa, či nie je kábel umiestnený nad diskom na jednotke transduktora (Obr. 5b). Aby sa kábel nezasekol medzi tryskou a vaňou, umiestnite kábel do štrbiny v stene vane.
8. Nasadte naspäť vaňovú trysku a zaistite ju otočením dvoch červených západiek o 90 stupňov. (Obr. 6)

Naplnenie zásobníka na vodu

9. Položte zásobník na vodu do umývadla a odnímite veko (otvorte otočením proti smeru hodinových ručičiek). (Obr. 7)
10. Zásobník na vodu naplňajte **výhradne filtrovanou vodou**. Je to potrebné z hľadiska predĺženia výdrže efektu plameňa a dymu, ktoré výrobok produkuje. Voda musí byť prefiltrovaná cez bežnú domácu filtračnú jednotku a filter sa musí pravidelne vymieňať. Destilovaná voda **sa nesmie** používať.
11. Zatočte naspäť veko – **nepretočte ho**.
12. Vložte zásobník na vodu do vane. Veko zásobníka musí smerovať nadol a plochá strana zásobníka smerovať von. (Obr. 8)

Zostavenie krbu

13. Položte rošt na zásobník na vodu a dymovú trysku. (Obr. 9)

Zapojte napájací kábel do príslušného konektora napájania na zadnej strane zariadenia a druhý koniec zapojte do elektrickej zásuvky (13 A, 240 V). Zariadenie je teraz pripravené na použitie.

Ovládanie krbu


Táto časť popisuje, ako aktivovať krb pomocou ručného ovládania alebo diaľkového ovládania.

RUČNÉ OVLÁDANIE

Ručné ovládanie je umiestnené pod sklopnou klapkou.
(Vzhľad ručného ovládania nájdete na Obr. 10)

Prepínač „A“: Ovláda prívod elektriny do krbu.

Poznámka: Aby krb fungoval, tento prepínač musí byť v polohe „ON“ (I).

Prepínač „B“: Jedným stlačením prepínača  zapnete efekt ohňa. Bude to signalizované pípnutím. Hoci sa kontrolka napájania rozsvieti okamžite, efekt plameňa sa spustí až za 30 sekúnd.

Stlačením tlačidla  prepnete krb do pohotovostného režimu. Bude to signalizované pípnutím.

Ovládacie tlačidlo „C“: Ovláda intenzitu efektu plameňa.

Otáčaním ovládacieho tlačidla doľava zväčšujete efekt plameňa, otáčaním ovládacieho tlačidla doprava znižujete efekt plameňa.


DOSIAHNUTIE POŽADOVANÉHO EFEKTU PLAMEŇA

1. Ovládacie tlačidlo plameňa „C“ (Obr. 10) možno oráča nahor alebo nadol, aby sa dosiahol realistickejší efekt.
2. Všeobecne platí, že plameň vyzerá realistickejšie, keď je ovládanie plameňa otočené dole.
3. Počkajte chvíľu, kým generátor plameňa zareaguje na zmeny, ktoré urobíte.
4. Zariadenie využíva menšie množstvo vody, ak je efekt plameňa nastavený na nižšiu úroveň (ovládacie tlačidlo „C“).
5. Kým je v zásobníku alebo vo vani voda, zariadenie nenakláňajte ani ho nepremiestňujte.
6. Zaistite, aby zariadenie stálo na rovnej podlahe.

POUŽÍVANIE DIAĽKOVÉHO OVLÁDANIA

Ak chcete používať diaľkové ovládanie, musí byť prepínač A (Obr. 10) na ovládacom paneli v polohe „ON“ (I). Na diaľkovom ovládaní sú 3 tlačidlá. (Obr. 12) Na správne používanie diaľkového ovládania je potrebné, aby bolo nasmerované na prednú stranu roštu. (pozri Obr. 17) Funkcie diaľkového ovládania:

- I Jedným stlačením zapnete efekt plameňa.
Bude to signalizované pípnutím.

-  Pohotovostný režim
Bude to signalizované pípnutím.

Údržba

VŠEOBECNÉ ODPORÚČANIA

V zariadení sa môže používať len filtrovaná voda.

Vždy sa uistite, či je zariadenie položené na rovnom povrchu.

Ak zamýšľate nepoužívať zariadenie dlhšie ako 2 týždne, vyprázdňte vaňu a zásobník na vodu.

Po nainštalovaní výrobok nikdy nepresúvajte ani nenakláňajte dozadu bez vyprázdnenia vane a zásobníka na vodu.

Zariadenie sa nesmie nikdy používať, ak nefungujú lampy.

Lampy je potrebné pravidelne kontrolovať, ako je to popísané v časti „Výmena lúčov“.

NAPLNENIE ZÁSObNÍKA NA VODU

Keď je zásobník na vodu prázdny, efekt plameňa a dymu sa vypne a začujete 2 pípnutia. Postupujte takto:

1. Prepnete prepínač „A“ do polohy (0). (pozrite Obr. 10)
2. Opatrne zodvihnite rošt a položte ho nabok.
3. Vytiahnutím nahor vyberte zásobník na vodu.
4. Položte zásobník na vodu do umývadla a odnítte veko. Otvorte otočením proti smeru hodinových ručičiek. (Obr. 7)
5. Zásobník naplňajte **výhradne filtrovanou vodou**. Je to potrebné z hľadiska predĺženia efektu plameňa a dymu, ktoré výrobok produkuje.
6. Voda musí byť prefiltrovaná cez bežnú domácu filtračnú jednotku a filter sa musí pravidelne vymieňať.
7. Zatočte naspäť veko – nepretočte ho.
8. Vložte zásobník do vane. Veko zásobníka musí smerovať nadol a plochá strana zásobníka smerovať von. (Obr. 8)
9. Opatrne položte rošt naspäť na svoje miesto. (Obr. 9)
10. Prepnete prepínač „A“ do polohy „ON“ (I). (pozrite Obr. 10)

VÝMENA LÁMP

Ak sa vám zdá, že efekt plameňa a dymu zosvie alebo stráca farby, môže to byť preto, lebo jedna alebo viaceré lampy nefungujú.

Poruchu lampy môžete overiť nasledovne.

1. Nechajte efekt plameňa zapnutý, vytiahnite rošt a zásobník na vodu.
2. S tryskou ponechanou na mieste by sa mali dať pohľadom skontrolovať lampy a zistiť, ktorú je potrebné vymeniť.
3. Prepnete prepínač „A“ do polohy „OFF“ (0) a odpojte krb z elektrickej zásuvky.
4. Nechajte zariadenie vypnuté po dobu 20 minút, kým lampy nevychladnú, až potom ich môžete vytiahnuť.
5. Vytiahnite vaňu, ako je popísané v časti Čistenie.
6. Vytiahnite chybnú lampu – opatrne ju nadvihnite zvislo nahor a odpojte kolíky z držiaka lampy. (pozrite Obr. 4 a 4a)
7. Nasadte novú farebnú lampu Dimplex OPTIMYST, 12 V, 45 W, päťica Gu5.3, 8° uhol lúča.
8. Pozorne zasuňte dva kolíky na novej lampe do dvoch otvorov v držiaku lampy. Pevne zatlačte na miesto. (pozrite Obr. 4 a 4a)
9. Nasadte naspäť vaňu, trysku, zásobník na vodu a rošt.

ČISTENIE

Upozornenie – Pred čistením krbu prepnete prepínač „A“ do polohy „OFF“ (0) (Obr. 10) a odpojte zariadenie z elektrickej zásuvky.

Nasledujúce súčasti odporúčame čistiť každé 2 týždne, najmä v oblastiach s tvrdou vodou:

zásobník na vodu, vaňa, tryska, veko zásobníka a tesnenie, vzduchový filter.

Pri bežnom čistení používajte mäkkú čistou prachovku – nikdy nepoužívajte brúsne čistiace prostriedky.

Ak je potrebné odstrániť akýkoľvek nahromadený prach alebo chumáče, občas je možné použiť vysávač s mäkkou kefkou.

Zásobník na vodu

1. Vytiahnite zásobník na vodu, ako j, položte ho do umývadla a vylejte vodu.
2. Pomocou k výrobku priloženej kefy opatrne vyčistíte vnútorný povrch veka, pričom dávajte najmä pozor na gumový krúžok v obvodovej štrbine a stredové gumové tesnenie.
3. Do zásobníka dajte malé množstvo čistiaceho prostriedku, nasadte naspäť veko a poriadne zatrate a preplachujte,

kým sa čistiaci prostriedok nedostane všade.

4. Naplňte znova zásobník výhradne filtrovanou vodou a znova nasadte veko (nepretočte ho).

Vaňa

1. Prepnete prepínač „A“ do polohy „OFF“ (0).
2. Jemne vytiahnite rošt a položte ho opatrne na zem.
3. Vytiahnutím nahor vyberte zásobník na vodu.
4. Odpojte elektrický konektor umiestnený na pravom boku vane. (pozrite Obr. 5)
5. Uvoľnite vaňu otočením západiek na pravej strane o 90 stupňov. Vďaka tomu sa bude dať vaňa úplne vytiahnuť.
6. Opatrne vytiahnite vaňu, pričom ju držte vodorovne, aby ste nevyliali vodu. Vložte zostavu do umývadla.
7. Uvoľnite ľavé poistné západky na vani otočením o 90 stupňov, potom vytiahnite trysku. (pozri Obr. 3)
8. Vytiahnite transduktor a opatrne ho nakloňte, ako je znázornené na obrázku, aby sa tekutina vyliala z vane. (pozrite Obr. 13)
9. Dajte do vane malé množstvo čistiaceho prostriedku a pomocou kefy priloženej k výrobku opatrne vyčistite všetky povrchy vane. Opatrne vyčistite transduktor vrátane kovových diskov umiestnených na vrchnom drážkovanom povrchu. (pozrite Obr. 14)
10. Pri čistení poriadne vypláchnite vaňu čistou vodou, aby sa odstránili všetky stopy čistiaceho prostriedku.
11. Vyčistite trysku kefou a poriadne ju vypláchnite vodou. (pozrite Obr. 15)
12. Zmontujte opačným postupom.

Vzduchový filter

1. Jemne vytiahnite rošt a položte ho opatrne na zem.
2. Opatrne vytiahnite vzduchový filter smerom nahor z plastového držiaka. (pozrite Obr. 16)
3. Jemne v umývadle vypláchnite vodou a pred opätovným nasadením vysušte tkaninou.
4. Nasadte filter naspäť, pričom zaistite, aby drsný čierny povrch filtra smeroval do prednej časti krbu.
5. Znova nasadte rošt.

Ďalšie informácie

ZÁRUČNÝ SERVIS

Na výrobok sa poskytuje záruka po dobu jedného roka odo dňa zakúpenia. V rámci toho obdobia sa zaväzujeme bezplatne opraviť alebo vymeniť tento výrobok (okrem lúčov a podľa dostupnosti), ak bol nainštalovaný a používaný v súlade s týmito pokynmi. Vaše práva v rámci tejto záruky týmto dopĺňajú vaše zákonné práva, ktoré nie sú touto zárukou ovplyvnené.

RECYKLÁCIA



Pre elektrické prístroje predávané v rámci Európskeho Spoločenstva – po skončení životnosti sa nesmú elektrické prístroje vyhadzovať spolu s domovým odpadom. Recyklujte ich tam, kde sú na to recyklačné zariadenia. Odporúčania na recykláciu vo vašej krajine vám poskytnú miestne úrady alebo predajca.

PATENT/PATENTOVÉ PODANIE

Výrobky radu Optimyst sú chránené jedným alebo viacerými nasledujúcimi patentmi a patentovými podaniami:

Veľká Británia: GB 2402206, GB 2460259, GB 2460453, GB 2418014, GB 2465738, GB 2449925, GB 2465537, GB 2455277, GB 1020534.2, GB 1020537.5, GB 1110987.3

USA: US 7967690, US 2010299980, US 2011062250, US 2008028648, US 13/167, 042

Rusko: RU 2008140317

Európa: EP 2029941, EP 2201301, EP 2315976, EP 1787063, EP 07723217.1, EP 11170434.2, EP 11170435.9

Čína: CN 101883953, CN 200980128666.2, CN 101057105, CN 101438104

Austrália: AU 2009248743, AU 2007224634

Kanada: CA 2725214, CA 2579444, CA 2645939

Medzinárodné patentové podanie: WO 2006027272

JAR: ZA 200808702

Mexiko: MX 2008011712

Kórea: KR 20080113235

Japonsko: JP 2009529649

Brazília: BR P10708894-9

India: IN 4122/KOLNP/2008

Nový Zéland: NZ 571900

Riešenie problémov

Príznak	Príčina	Kroky na nápravu
Efekt plameňa sa nespustí.	Nie je zapojená zástrčka do elektrickej zásuvky. Nízka hladina vody. Konektor nízkeho napätia nie je správne zapojený. (pozrite Obr. 5) Jednotka transduktora nesedí správne vo vani.	Skontrolujte, či je zástrčka správne zapojená do elektrickej zásuvky. Skontrolujte, či je zásobník na vodu plný a či je voda vo vani. Skontrolujte, či je konektor zapojený správne. (pozrite Obr. 5) Uistite sa, či je jednotka transduktora dobre osadená do vylisovaného výčnelku.
Efekt plameňa je príliš malý.	Ovládacie tlačidlo efektu plameňa je nastavené príliš nízko. (pozrite Obr. 10) Môže byť znečistený kovový disk v transduktore. (pozrite Obr. 14) Kábel z jednotky transduktora je umiestnený na kovovom disku.	Zvýšte úroveň plameňa pomalým otáčaním ovládacieho tlačidla „C“ doľava. (pozrite Obr. 10) Vyčistite kovový disk príbalenou mäkkou kefkou. (pozrite Obr. 14) Podrobný postup nájdete v časti „Údržba“. Uložte kábel do zadnej časti vane a uistite sa, či sedí v bočnej štrbine vychádzajúcej z vane.
Pri používaní vychádza nepríjemný zápach.	Znečistená alebo zatuchnutá voda. Používa sa nefiltrovaná voda.	Vyčistite jednotku, ako je popísané v časti „Čistenie“. Používajte len filtrovanú vodu.
Efekt plameňa je príliš dymový.	Nastavenie efektu plameňa je príliš vysoké.	Ovládacie tlačidlo „C“ efektu plameňa otáčajte doprava, vždy približne o jednu štvrtinu otočky. Nechajte generátoru plameňa trochu času, kým sa upraví na nové nastavenie. (pozrite Obr. 10)
Hlavné lampy nefungujú a nevidno žiadny plameň ani dym.	V zásobníku na vodu nie je žiadna voda.	Postupujte podľa pokynov uvedených v časti Údržba , „Naplnenie zásobníka na vodu“. Skontrolujte, či je zástrčka správne zapojená do elektrickej zásuvky a či je prepínač „A“ (Obr. 10) v polohe „ON“ (I).

DE - Garantie

Die nachstehenden Ausführungen über Umfang der Garantie, Garantiefristen und die Anmeldung von Garantieansprüchen gelten ausschließlich für die Bundesrepublik Deutschland.

Wir räumen dem Käufer nach seiner Wahl zusätzlich zu den ihm gegen den Verkäufer ausstehenden gesetzlichen Gewährleistungsansprüchen einen Anspruch nach Maßgabe der nachfolgenden Garantieverpflichtung ein:

I. Dauer und Beginn der Garantie

1. Grundsätzlich wird für jedes im Haushalt eingesetzte Gerät die auf der Garantiekarte ausgezeichnete Garantiezeit gewährt.
2. Bei gewerblicher Nutzung der von der Bauart her für den Haushalt bestimmten Geräte beträgt die Garantiezeit lediglich sechs Monate.
3. Die Garantie ist mit dem Zeitpunkt der Übergabe des Gerätes wirksam.
4. Bewahren Sie die vom Verkäufer ausgefüllte Garantie-Urkunde mit der Rechnung, dem Lieferschein oder einem anderen Kaufnachweis auf.
5. Durch Garantieleistungen tritt keine Verlängerung der ursprünglichen Garantiezeit ein.
6. Garantieansprüche können nur geltend gemacht werden, wenn die Mängelrüge innerhalb von 14 Tagen nach Entdeckung des Mangels schriftlich bei uns eingeht.

II. Inhalt und Umfang der Garantie

1. Ihr Gerät wird sorgfältig geprüft. Für den Fall, daß der Garantieanspruch zu Recht besteht, entscheiden wir, auf welche Art der Schaden behoben werden soll / wird. Im Reparaturfall sorgen wir für eine fachgerechte Ausführung.
2. Bei der Einsendung zur Reparatur sind Garantie-Urkunde und Kaufnachweis beizufügen.
3. Innerhalb der ersten sechs Monate erbringen wir die Garantieleistungen ohne Berechnung von Nebenkosten (Fahrt- und Wegzeitkosten, Fracht- und Verpackungskosten).
4. Darüber hinausgehende Ansprüche, insbesondere Schadenersatzansprüche, sind ausgeschlossen, soweit eine Haftung nicht gesetzlich angeordnet ist.

III. Einschränkungen der Garantie

1. Eine Garantie besteht nicht bei Fehlern oder Mängeln, die auf folgendes zurückzuführen sind:
 - a) Reparaturen und Abänderungen, die von nicht autorisierter dritter Stelle vorgenommen werden oder wurden;
 - b) äußere Einwirkungen, zum Beispiel Transportschäden, Beschädigungen durch Stoß oder Schlag, Schäden durch Witterungseinflüsse oder sonstige Naturerscheinungen;
 - c) unsachgemäße / fehlerhafte Bedienung oder Beanspruchung;
 - d) Verwendung von ungeeigneten Reinigungsmitteln, Chemikalien usw.
2. Die Garantie erstreckt sich nicht auf leicht zerbrechliche Teile, zum Beispiel Glas, Kunststoff, Glühlampen.
3. Geringfügige Änderungen gegenüber Prospekten oder Mustern oder früher gelieferter Ware gelten nicht als Mangel. Gleiches gilt bei lediglich geringfügigen Abweichungen von der Sollbeschaffenheit, die für Wert- und Gebrauchstauglichkeit des Gerätes unerheblich ist.
4. Im Ausland gelten die von unserer jeweils zuständigen Landesvertretung herausgegebenen Garantiebedingungen.

DE - Garantie Für dieses Gerät gelten die in dem Kaufland herausgegebenen Garantiebedingungen. Einzelheiten teilt Ihnen der Händler, bei dem Sie das Gerät gekauft haben, auf Anfrage jederzeit mit. Die Inanspruchnahme von Garantieleistungen setzt die Vorlage des Kaufbeleges und die Einhaltung der Garantiefrist voraus. Der Garantieanspruch verfällt, wenn das Gerät beschädigt, nicht sachgemäß benutzt oder unbefugte Eingriffe vorgenommen wurden.

UK - Warranty The warranty conditions in the country of purchase apply to this appliance. Information can be obtained at any time from the retailer from whom the appliance was purchased. For claims under guarantee the sales receipt must be produced and the claims must be forwarded within the guarantee period. The right to claim under guarantee expires in case that the device has been damaged, used in an inappropriate way or that unauthorized manipulations have been carried out.

FR - Garantie Pour cet appareil, les garanties applicables sont celles en vigueur dans le pays où a lieu l'achat. Votre revendeur vous en communiquera à tout moment les détails sur simple demande. La revendication au droit à la garantie est assujettie à la présentation de la preuve d'achat et du respect du délai de garantie. Le droit à la garantie expire lorsque l'appareil a été endommagé, utilisé de manière inadéquate ou que des interventions ont été effectuées par des tiers.

IT - Garanzia Per questo apparecchio valgono le condizioni di garanzia pubblicate nel Paese d'acquisto. I dettagli a riguardo vengono forniti, in ogni momento, su richiesta, dal rivenditore presso il quale viene acquistato l'apparecchio. Il diritto alla prestazione di garanzia ha come premessa l'esibizione dello scontrino di acquisto e l'osservanza del termine di garanzia. Il diritto alla copertura di garanzia non sussiste, se l'apparecchio è stato danneggiato, se non è stato utilizzato a regola d'arte e sono stati effettuati su di esso interventi non autorizzati.

ES - Garantía Para este aparato tienen validez las condiciones de garantía entregadas en el país de compra. En caso de preguntas, el vendedor al que usted compró el aparato, estará en todo momento dispuesto a informarle sobre los detalles al respecto. La solicitud de prestaciones que estén incluidas en las disposiciones de garantía presupone, que usted presente el ticket de compra y que haga su solicitud en el plazo de garantía. Los derechos de garantía caducan, si el aparato se ha dañado, si se ha utilizado de manera inadecuada, o si en él se han efectuado intervenciones desautorizadas.

PT - Garantia As condições de garantia do país de compra aplicam-se a este aparelho. Pode obter informação em qualquer altura do retalhista de onde adquiriu o aparelho. Todas as reclamações ao abrigo da garantia terão de se fazer acompanhar do documento comprovativo da compra e de serem enviadas dentro do período da garantia. O direito de reclamação ao abrigo da garantia expira no caso do aparelho ter sido danificado, utilizado de forma incorrecta ou de se terem efectuado manipulações não autorizadas.

NL - Garantie Voor dit apparaat gelden de in het koopland uitgegeven garantievoorwaarden. Details deelt U uw dealer, waar U het apparaat heeft gekocht, op aanvraag altijd mee. De gebruikmaking van garantievoorwaarden vereist het overleggen van het koopbewijs en de nakoming van de garantietermijn. De garantieclaim vervalt, wanneer het apparaat werd beschadigd, niet juist werd gebruikt of onbevoegde ingrepen werden uitgevoerd.

DK - Garanti Apparatet er omfattet af de garantibetingelser, som er gældende i købslandet. Nærmere detaljer kan fås hos den forhandler, hvor du har købt apparatet. Der kan kun stottes ret på garantien ved forebyggelse af købskittering og kun inden for garantiperioden. Garantien bortfalder, hvis apparatet er blevet beskadiget, anvendt forkert eller i tilfælde af uautoriseret indgreb i apparatet.

SE - Garanti För denna apparat gäller de för inköpslandet utgivna garantibestämmelserna. På förfrågan kan detaljerna i garantibestämmelserna erhållas från inköpsstället där apparaten har köpts. Om garantin tas i anspråk måste inköpskvitto kunna uppvisas inom garantitiden. Alla garantianspråk

NO - Garanti For dette apparatet gjelder kun de betingelsene som er offentliggjort i forretningen det er kjøpt. Detaljer ang. dette kan man til enhver tid få hos den fagforhandleren hvor du har kjøpt apparatet. For å ha fulle garantirettigheter må man kunne fremlegge kvitteringen og garantifristen må ikke være utløpt. Garantien gjelder ikke når apparatet er skadet, ikke er brukt etter forskriftene eller ukvalifiserte innrep er foretatt.

FI - Takuu Laitteella on ostomaassa voimassa olevat takuuehdot. Yksityiskohdat näistä ehdoista ilmoittaa sinulle kauppias, jolta olet laitteen ostanut. Takuusuorituksia voi vaatia takuuajan ollessa voimassa esittämällä ostotodistuksen. Takuu ei ole voimassa, mikäli laitetta on käytetty sen ollessa vaurioitunut, sitä on käytetty väärin tai ammatitaidoton henkilö on korjannut laitetta.

PL - Gwarancja Dla tego urządzenia obowiązują warunki gwarancji wydane w kraju zakupu. W każdej chwili sprzedawca, u którego dokonano zakupu urządzenia, przekaże Państwu odpowiednią szczegółową Wykorzystanie świadczeń gwarancyjnych jest uwarunkowane przedłożeniem potwierdzenia zakupu i zachowaniem terminu gwarancji. Prawo do gwarancji przepada, gdy urządzenie zostanie uszkodzone, nieoprawnie używane lub dokonane zostaną niedozwolone manipulacje.

CZ - Záruka Pro tento přístroj jsou platné záruční podmínky, které byly vydány v zemi kupujícího. S podrobnostmi Vás kdykoliv na požádání seznámí Váš prodejce, u kterého jste přístroj zakoupili. Uznání záruky předpokládá předložení dokladu o koupi a dodržení záruční lhůty. Nárok na záruku propadá, je-li přístroj poškozený, neodborně provozovaný a nebo byly-li na něm provedeny neodborné zásahy.

LV - Garantijs Ģai ierīci ir spēkā pirēja valstī izdotie garantijas noteikumi. Par to jūs sīkāk informācija saņemsiēt veikalā, kurā jūs do ierīci nopirkāt. Garantijas pieteikšanās jums ir nepieciešama pirkšanas kvīts. Bez tam ir svarīgi, lai garantijas termiņā nebūtu notēcijas. Garantijs netiek sniegta, ja jūs ierīci sabojājāt, ekspluatējāt neatbilstoši lietošanas instrukcijai, veicāt patvaļīgi demontāžu vai mēcinājāt padī to remontēt.

SI - Garancija Za to napravvo veljajo garancijski pogoji izdani v državi nakupa. Na vašo željo vas bo o podrobnostih kadarkoli obvestil trgovec, pri katerem ste kupili napravo. Pogoj za uveljavljanje storitev določenih v garanciji je predložitev računa in upoštevanje garancijskega roka. Pravica do garancije zapade, če je naprava poškodovana, če naprava ni bila ustrezno uporabljana ali če so bili izvedeni nepooblaščen posegi v napravo.

SK - Záruka Pre tento prístroj platia záručné podmienky vydané v krajine jeho zakúpenia. S podrobnosťami Vás na požiadanie kedykoľvek zoznámí predajca, u ktorého ste prístroj zakúpili. Nárok na záručné služby predpokladá predloženie dokladu o kúpe a dodržanie záručnej lehoty. Nárok na záruku zaniká, ak bol prístroj poškodený, neodbornou používaním alebo na ňom boli urobené neoprávnené zásahy.

LT - Garantija Ėiam prietaisui galioja pirmko dalyje ideistos garantijos slygyos. Jums pasiteiravus bet kuriuo metu pardavėjas, pas kurą Jus pirkote prietaisf, informuos apie smulkmenas. Garantijos vykdymo pasinaudojimo slyga yra kasos čekio pateikimas ir garantinio termino idlaikymas. Garantinis reikalavimas pasibaigia, jeigu prietaisas sugadintas, netinkamai buvo naudotas arba buvo atlikti neleistini áskidimai.

EE - Garanti Seadme kohta kehtivad selle riigi garantitingimused, kus seade on ostetud. Seadme edasimüüja annab Teile põhjalikku informatsiooni garantii üksikasjade kohta. Garantiteenuste osutamise aluseks garantiata jooksul on ostudokument. Garantii ei kehti, kui seade on kahjustunud, seda on kasutatud ebaosttarbiseiselt või seadet on demonteeritud.

HU - Garancia A készülékre a vásárlási országban kiadott garanciális feltételek érvényesek. Ennek részleteiről kérésre szívesen nyújt információt az a kereskedő, akitől a készüléket vásárolta. A garanciális teljesítés igénybe vételének előfeltétele a vásárlási bizonylat bemutatása és a garanciális határidő betartása. A garanciális igény nem érvényes, ha a készülék sérült, nem szakszerűen használták vagy illetéktelen beavatkozásokot végeztek rajta.


HR - Jamstvo Uvjeti jamstva koji važe u državi kupnje važe i za ovaj uređaj. Podaci se mogu dobiti u svako doba od dobavljača od kojega ste kupili proizvod. Za zahtjeve po osnovi jamstva morate priložiti račun koji ste dobili pri kupnji, a zahtjev treba podnijeti u toku trajanja jamstvenog perioda. Pravo iz jamstva isticu u slučaju da je uređaj oštećen, korišten na neodgovarajući način ili su na njemu provedene neovlaštene popravke.

GR - Εγγύηση Για την παρούσα συσκευή ισχύουν οι κανονισμοί εγγύησης του ισχύουσιν στην χώρα όπου αγοράστηκε. Λεπτομέρειες για τις παρεχόμενες υπηρεσίες από τον οποίο προμηθευτήκατε την συσκευή οποιαδήποτε στιγμή του το ζητήσετε. Απαραίτητες προϋποθέσεις για την διεκδίκηση παροχών που περιλαμβάνονται στην εγγύηση είναι η απόδειξη αγοράς και η τήρηση της προθεσμίας εγγύησης. Η εγγύηση εκπίπτει εφόσον η συσκευή υπέστη βλάβη, δεν χρησιμοποιήθηκε ορθά ή έλαβαν χώρα επεμβάσεις σε αυτή από μη εξουσιοδοτημένο πρόσωπο.

BG - гаранция За настоящия уред вадат гаранционните условия, валидни за страната, в която е купен. С подробностите ще Ви запознае продавачът, от който сте купили уреда и към който Вие можете да се обърнете по всяко време. За да се предоставят гаранционни услуги, е необходимо да се представи документът за закупуване и да не е изтекъл гаранционният срок. Гаранцията се губи, ако уредът е повреден, неправилно използван или с недопустими изменения.

RU - Гарантия В отношении этого прибора действительны условия гарантии, предоставленные в стране приобретения. Более подробную информацию по вашему запросу в любое время предоставит магазин, в котором вы приобрели прибор. Для гарантийного обслуживания необходимо в течение гарантийного срока предъявить квитанцию о покупке. Гарантия утрачивает силу, если прибор был поврежден, использовался ненадлежащим образом или был подвергнут недопустимым вмешательствам.

KZ Кепілдік Мынау аспапқа сатып алған мемлекетте шыққан гарантиялы шарттар жарамды. Аспапты сатып алған сатушыны сұратсаңыз, әрдайым нақтылықтарды айтып береді. Гарантиялы міндеттемені пайдалану үшін сатып алған қаспалық чекі болуы және гарантиялы мерзімін өткізіп алмауы керек. Аспап сынық, дұрыс пайдаланбаған немесе арнаулы емес талдаулар өткізілген болса гарантия правосы жарамсыз.

1. Warranty Card 	2. Guarantee Period (in Years) 2	3. Model(s)	4. Date of Purchase								
5. Stamp & Signature of retailer	6. Fault/Defect										
7. Contact Number & Address <table border="0" style="width: 100%;"> <tr> <td style="width: 25%; vertical-align: top;"> DE Glen Dimplex Deutschland GmbH ewt-Kundendienst ☎ +49 (911) 1805 / 398 346 Fax. +49 (911) 1805 / 355 467 (14Ct./Min aus dem dt. Festnetz) Mobilfunkpreise koennen abweichen service@glendimplex.de </td> <td style="width: 25%; vertical-align: top;"> UK www.dimplex.co.uk ☎ (+44) 0845 600 5111 Fax. (+44) 01489 773050 A division of the GDC Group Ltd. </td> <td style="width: 25%; vertical-align: top;"> NO Glen Dimplex Nordic HAVNEGATA 24, N 7500, Stjørdal, Norway. +(47) 74 82 91 00 Fax: +(47) 74 82 91 01 www.glendimplex.no email@glendimplex.no </td> <td style="width: 25%; vertical-align: top;"> IT Glen-Dimplex Italia S.r.l. via delle Rose 7, 24040 Iallio (BG) ☎ 035-201042 Fax. 035-200492 info@glendimplex.it </td> </tr> <tr> <td style="vertical-align: top;"> ES Glen Dimplex España S.L. C/ Bailén, 20, 4º, 2ª e-08010 BARCELONA ☎ (+34) 93.238.61.59 Fax. (+34) 932384375 </td> <td style="vertical-align: top;"> NL Glen Dimplex Benelux B.V. – Netherlands Antennestraat 84 1322 AS Almere, Nederland E-mail: info@glendimplex.nl www.glendimplex.nl </td> <td style="vertical-align: top;"> FR Glen Dimplex France ZI Petite Montagne Sud 12 rue des Cévennes 91017 EVRY - LISSES www.glendimplex-france.fr </td> <td></td> </tr> </table>				DE Glen Dimplex Deutschland GmbH ewt-Kundendienst ☎ +49 (911) 1805 / 398 346 Fax. +49 (911) 1805 / 355 467 (14Ct./Min aus dem dt. Festnetz) Mobilfunkpreise koennen abweichen service@glendimplex.de	UK www.dimplex.co.uk ☎ (+44) 0845 600 5111 Fax. (+44) 01489 773050 A division of the GDC Group Ltd.	NO Glen Dimplex Nordic HAVNEGATA 24, N 7500, Stjørdal, Norway. +(47) 74 82 91 00 Fax: +(47) 74 82 91 01 www.glendimplex.no email@glendimplex.no	IT Glen-Dimplex Italia S.r.l. via delle Rose 7, 24040 Iallio (BG) ☎ 035-201042 Fax. 035-200492 info@glendimplex.it	ES Glen Dimplex España S.L. C/ Bailén, 20, 4º, 2ª e-08010 BARCELONA ☎ (+34) 93.238.61.59 Fax. (+34) 932384375	NL Glen Dimplex Benelux B.V. – Netherlands Antennestraat 84 1322 AS Almere, Nederland E-mail: info@glendimplex.nl www.glendimplex.nl	FR Glen Dimplex France ZI Petite Montagne Sud 12 rue des Cévennes 91017 EVRY - LISSES www.glendimplex-france.fr	
DE Glen Dimplex Deutschland GmbH ewt-Kundendienst ☎ +49 (911) 1805 / 398 346 Fax. +49 (911) 1805 / 355 467 (14Ct./Min aus dem dt. Festnetz) Mobilfunkpreise koennen abweichen service@glendimplex.de	UK www.dimplex.co.uk ☎ (+44) 0845 600 5111 Fax. (+44) 01489 773050 A division of the GDC Group Ltd.	NO Glen Dimplex Nordic HAVNEGATA 24, N 7500, Stjørdal, Norway. +(47) 74 82 91 00 Fax: +(47) 74 82 91 01 www.glendimplex.no email@glendimplex.no	IT Glen-Dimplex Italia S.r.l. via delle Rose 7, 24040 Iallio (BG) ☎ 035-201042 Fax. 035-200492 info@glendimplex.it								
ES Glen Dimplex España S.L. C/ Bailén, 20, 4º, 2ª e-08010 BARCELONA ☎ (+34) 93.238.61.59 Fax. (+34) 932384375	NL Glen Dimplex Benelux B.V. – Netherlands Antennestraat 84 1322 AS Almere, Nederland E-mail: info@glendimplex.nl www.glendimplex.nl	FR Glen Dimplex France ZI Petite Montagne Sud 12 rue des Cévennes 91017 EVRY - LISSES www.glendimplex-france.fr									

UK

- Warranty Card
- Guarantee Period (in Years)
- Model(s)
- Date of Purchase
- Stamp & Signature of retailer
- Fault/Defect
- Contact Number & Address

DE

- Garantiekarte
- Garantiezeitraum (in Jahre)
- Modell(e)
- Kaufdatum
- Stempel & Unterschrift des Einzelhändlers
- Fehler/Defekt
- Kontakt-Tel.-Nr. & - Anschrift

FR

- Bon de garantie
- Période de garantie (en années)
- Modèle(s)
- Date d'achat
- Cachet et signature du vendeur
- Anomalie/Défaut
- Nom et adresse du contact

IT

- Scheda di garanzia
- Periodo di garanzia (in anni)
- Modello(i)
- Data di acquisto
- Timbro e firma del rivenditore
- Guasto/difetto
- Indirizzo e numero di contatto

ES

- Tarjeta de garantía
- Periodo de garantía (en años)
- Modelo(s)
- Fecha de adquisición
- Sello y firma del distribuidor
- Avería/Defecto
- Número y dirección de contacto

PT

- Cartão de Garantia
- Período de Garantia (em anos)
- Modelo(s)
- Data de Compra
- Carimbo e Assinatura do retalhista
- Falha/Defeito
- Número de Contacto e Morada

NL

- Garantiebewijs
- Garantieperiode (in jaren)
- Model(len)
- Aankoopdatum
- Stempel & Ondertekening detaillist
- Fout/Defect
- Telefoonnummer & Adres

DK

- Garantikort
- Garantieperiode (i år)
- Model(ler)
- Købsdato
- Detailhandlers stempel & underskrift
- Fejl/defekt
- Kontaktnummer & -adresse

SE

- Garantikort
- Garantitid (i år)
- Modell(er)
- Inköpsdag
- Återförsäljarens stämpel och underskrift
- Fel
- Telefonnummer och adress för kontakt

NO

- Garantikort
- Garantieperiode (i år)
- Modell(er)
- Kjøpsdato
- Selgers stempel og signatur
- Feil/defekt
- Kontaktnummer og adresse

FI

- Takuukortti
- Takuuaika (vuosina)
- Malli(t)
- Ostopäivämäärä
- Myyntiliikkeen leima ja allekirjoitus
- Vika/vaurio
- Yhteysnumero ja osoite

PL

- Karta gwarancyjna
- Okres gwarancji (w latach)
- Model(e)
- Data zakupu
- Pieczeć i podpis sprzedawcy
- Usterka
- Telefon i adres kontaktowy

CZ

- Záruční list
- Záruční doba (roky)
- Model(y)
- Datum zakoupení
- Razítko a podpis prodejce
- Porucha/chyba
- Kontaktní číslo a adresa

LV

- Garantijas talons
- Garantijas periods (gadi)
- Modelis(li)
- Legades datums
- Mazumtirgotāja zimogs un paraksts
- Bojajums/defekts
- Kontaktinformācija un adrese

SI

- Garancijski list
- Obdobje veljavnosti garancije (v letih)
- Model(i)
- Datum nakupa
- Žig in podpis prodajalca
- Pomanjkljivost/okvara
- Kontaktna številka in naslov

SK

- Záručný list
- Záručné obdobie (v rokoch)
- Model(y)
- Dátum kúpy
- Pecat & Podpis obchodníka
- Porucha/závada
- Kontaktujte číslo & adresu

LT

- Garantijos kortele
- Garantijos laikotarpis (metais)
- Modelis (modeliai)
- Pirkimo data
- Prekybininko antspaudas ir parašas
- Gedimas / defektas
- Numeris ir adresas kontaktams

EE

- Garantiikaart
- Garantiaeg (aastates)
- Mudel(id)
- Ostukuupäev
- Kaupluse tempel & allkirri
- Viga/defekt
- Kontaktnumber & aadress

HU

- Garancialevél
- Garancia időtartama (években)
- Modell(ek)
- Vásárlás időpontja
- Eladó bélyegzője és aláírása
- Hiba/Hiány megnevezése
- Értesítési telefonszám és cím

HR

- Jamstvena kartica
- Jamstveni period (u godinama)
- Model(i)
- Datum kupnje
- Pecat i potpis dobavljača
- Kvar/defekt
- Broj i adresa za kontakt

GR

- Κάρτα εγγύησης
- Περίοδος ισχύος της εγγύησης (έτη)
- Μοντέλο(α)
- Ημερομηνία αγοράς
- Σφραγίδα και υπογραφή εμπόρου
- Σφάλμα/Ελάττωμα
- Αριθμός τηλεφώνου και διεύθυνση επικοινωνίας

BG

- Гаранционна карта
- Гаранционен период (в години)
- Модел(и)
- Дата на покупка
- Печат и подпис на търговеца
- Неизправност/Дефект
- Адрес и телефон за контакт

RU

- Гарантийная карта
- Срок действия гарантии(в годах)
- Модель (модели)
- Дата покупки
- Штамп и подпись озничного продавца
- Неисправность/дефект
- Номер контактного телефона и адрес

KZ

- Кепілдік картасы
- Кепілдік мерзімі
- Үлгі(лер)
- Сатылған күні
- Сатушының мәрі мен қолтаңбасы
- Кемістік/Ақаулық
- Байланыс телефоны және мекен-жайы